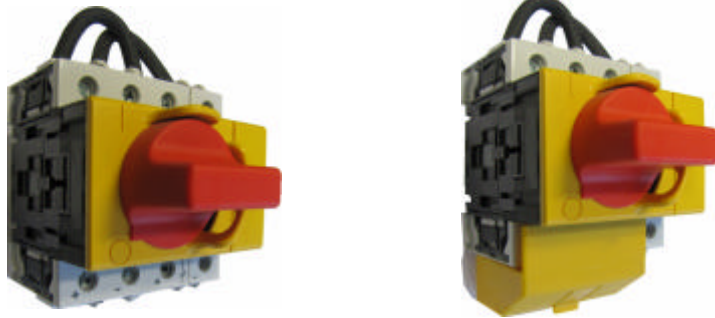


Rotary isolator switch direct current

Catalogue number(s): 4 142 61, 4 142 62, 4 412 63

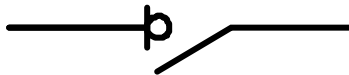


| CONTENTS | PAGES |
|----------------------------------|-------|
| 1. Description – Use..... | 1 |
| 2. Range..... | 1 |
| 3. Dimensions..... | 1 |
| 4. Fitting – Connection..... | 2 |
| 5. General characteristics..... | 2 |
| 6. Compliance and Approvals..... | 2 |
| 7. Accessories..... | 3 |

1. DESCRIPTION - USE

- Modular isolator switch to control direct current electrical circuits.
- This isolator switch is suitable for photovoltaic applications.

Symbol:



- Double break contacts.
- Visible contact indication.
- Number of protected poles: 2.

2. RANGE

Rated current I_n :

- . 16 A / 25 A / 32 A.

Rated voltage:

- . 600 V DC (direct current)

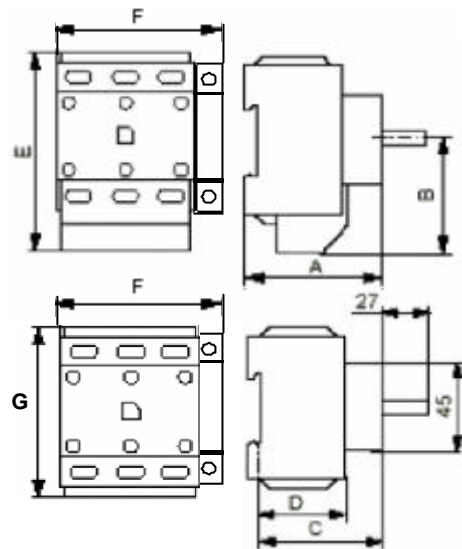
Catalogue numbers:

- . 4 142 61 model 16 Amp
- . 4 142 62 model 25 Amp
- . 4 142 63 model 32 Amp

3. DIMENSIONS

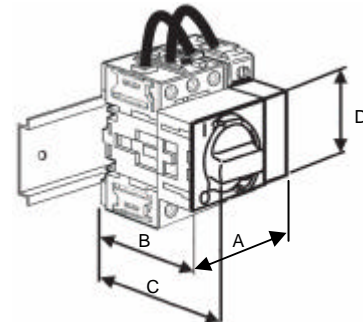
16 to 32 A bare isolator switch with and without terminal covers.

3. DIMENSIONS (cont.)



| Current | A (mm) | B (mm) | C (mm) | D (mm) | E (mm) | F (mm) | G (mm) |
|-----------|--------|--------|--------|--------|--------|--------|--------|
| 16 to 32A | 65 | 57.9 | 60 | 42.2 | 101 | 71.5 | 85 |

16 to 32A rotary isolator switch mounted on DIN rail



| Current | A (mm) | B (mm) | C (mm) | D (mm) |
|-----------|--------|--------|--------|--------|
| 16 to 32A | 71.5 | 63 | 89 | 45 |

Rotary isolator switch direct current

Catalogue number(s): 4 142 61, 4 142 62, 4 412 63

4. FITTING – CONNECTION

Fitting:

On DIN 35 rail, product locked onto the rail by the terminal block.

Screw head:

Combi, slotted and Pozidriv no. 2.

Recommended tightening torque:

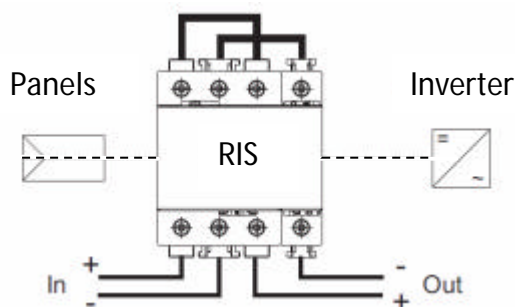
2.5Nm

Lockout:

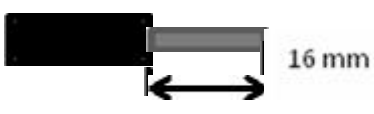
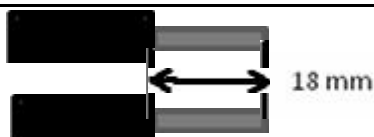
- Possible in position 0 / OFF = open circuit.
- By padlock (catalogue no. 0 227 97)

Connection:

- From below with 1 or 2 conductors per cage terminal.
- The use of the terminal cover is essential when 2 conductors are fitted per cage terminal.
- The isolator switch takes inverse current.



Stripping:

| | |
|---|---|
| Catalogue Nos. | 4 142 61 to 4 142 63 |
| Connection with 1 conductor | 1.5 to 10mm ² |
| 1 terminal conductor with or without ferrule |  16 mm |
| Connection with 2 conductors | 2 x 4 or 2 x 6mm ² |
| 2 terminal conductors with or without ferrule |  18 mm |

5. GENERAL CHARACTERISTICS

Rated impulse withstand voltage:

U_{imp} = 8kV

Insulation voltage:

U_i = 800V

Utilisation category:

DC21B

Rated short time withstand current:

I_{cw} = 400A

Rated short-circuit making capacity:

I_{cm} = 500A

Ambient operating temperature:

Min = -25°C Max = +70°C

Ingress protection rating:

IP 2X

Impact protection rating:

IK05

Climatic resistance:

- Tropical environment / Damp heat according to IEC 68-2-3 and IEC 68-2-30
- Salt spray resistance / Tropicalisation
UTE C 63-100 Execution 2 followed by 48H of salt spray.

Container mounted:

- Plexo 3
- Marina
- Others ...

6. COMPLIANCE

- Complies with standard IEC / EN 60947-3
- Utilisation category DC21B

Rotary isolator switch direct current

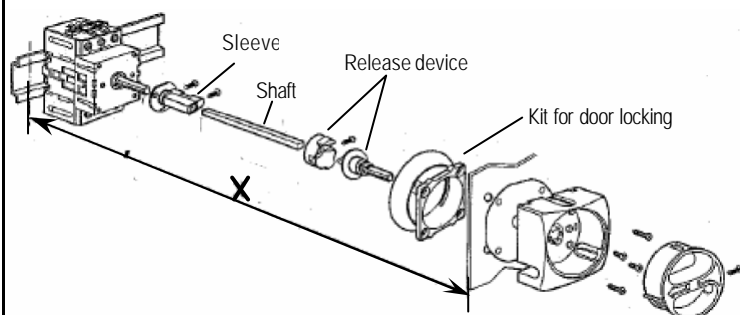
Catalogue number(s): 4 142 61, 4 142 62, 4 412 63

7. ACCESSORIES

- Kit for clutch drive presentation composed of a sleeve, a metal shaft and release device with door locking.
This kit can be assembled with or without the metal shaft.
It is also possible to omit the door locking device.

- The sealing kit for clutch drive which is placed behind the unit makes it possible to move from IP 40 to IP 65.
The catalogue number for this kit is: 0 222 71.

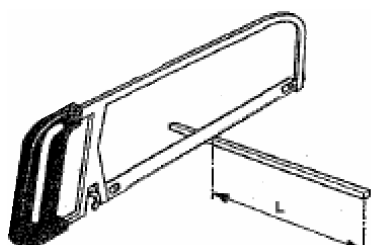
Kit for clutch drive presentation



| | Without shaft | Short shaft Catalogue number: 022733 | Long shaft Catalogue number: 022274 |
|----------------------|---------------|--|---|
| Dimension X in mm | 95 to 110 | 135 to 260 | 260 to 410 |

Dimension X = front of DIN rail / front of door panel.

Shaft cut to length



$$L = X - 102\text{mm}$$

Panel drilled for clutch drive

