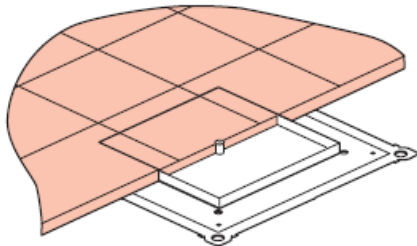
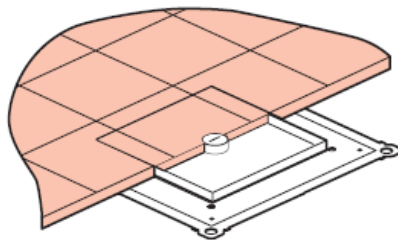


Heavy duty & water resistant Floor Boxes

Number(s) : 89683/84/85/86/87 & 89634/39



Cat.Nos 89685



Cat.Nos 89686

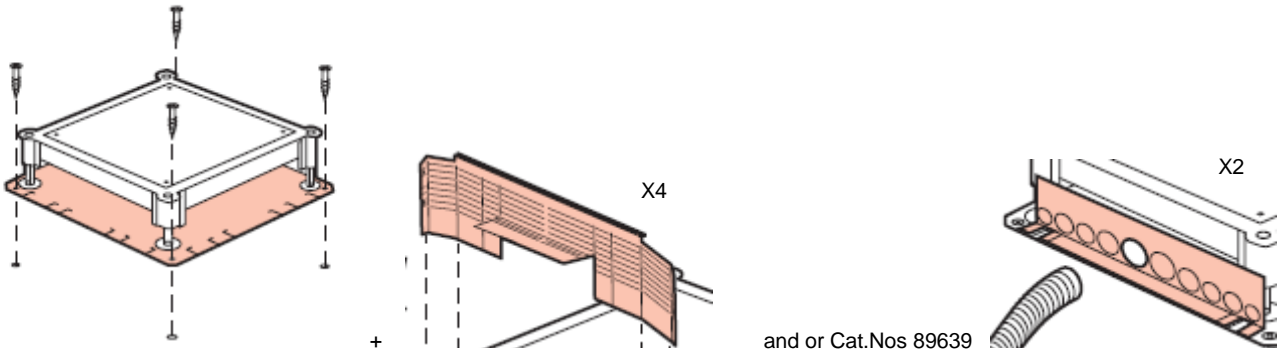
CONTENTS

PAGES

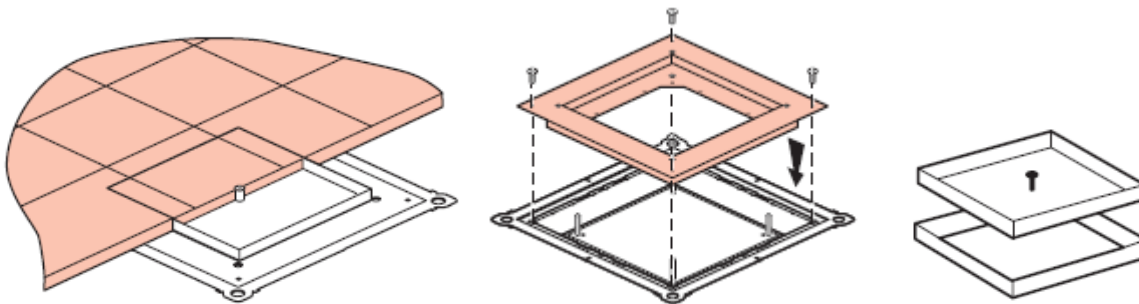
| | |
|-----------------------------|---------|
| 1.Range | 1 |
| 2.Backboxes installation | 2 à 9 |
| 3.Technical characteristics | 10 à 12 |
| 4.Material characteristics | 12 |

1 RANGE.

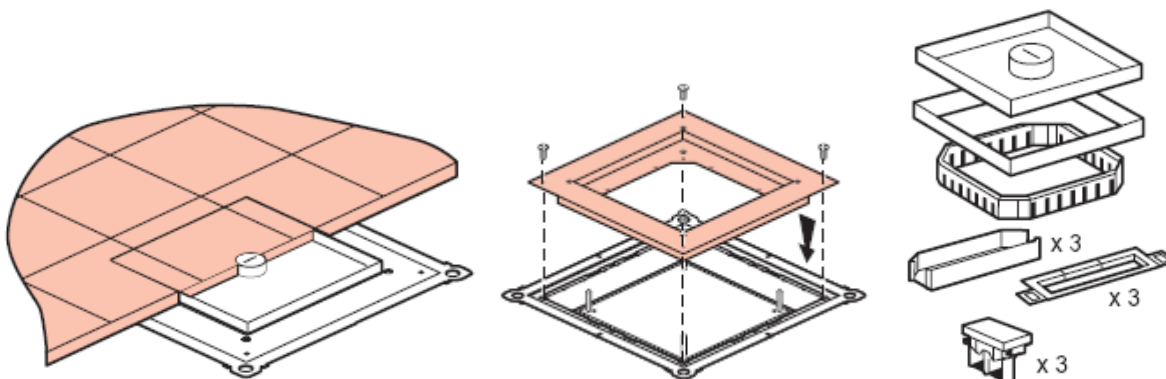
Metal backbox Cat.Nos 89634 :



Junction box with plain cover Cat.Nos 89685



24 modules Floor box with central cable Cat.Nos 89686



Heavy duty & water resistant Floor Boxes

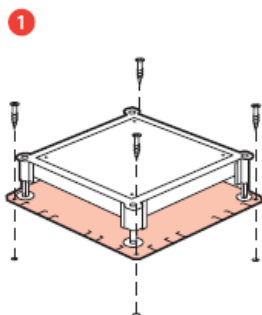
Number(s) : 89683/84/85/86/87 & 89634/39

2 BACKBOXES INSTALLATION

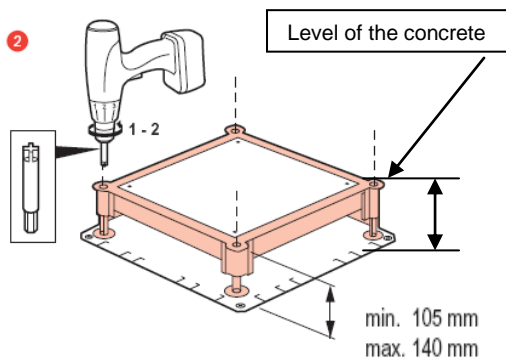
Metal backbox Cat.Nos 89634 :
Useful for heavy duty & water resistant floor boxes Cat.Nos 89685/86

The metal backbox is delivered with 4 sides for floor trunking & one accessory for screwing.
Cat.Nos 89639 : set of 2 adaptors for conduit Ø 16, 20 et 25

1- Fixing of the backbox on the floor

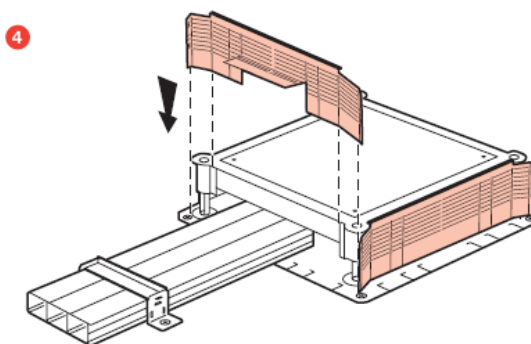
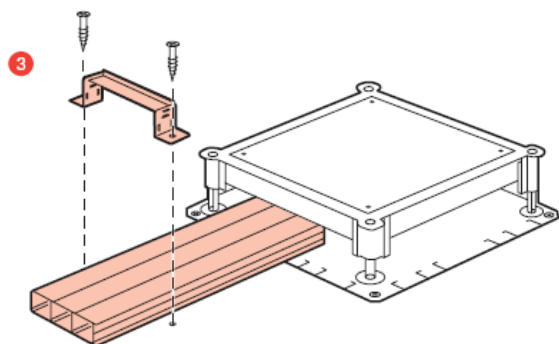
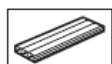


2- Height adjustment of the backbox at the level of the concrete

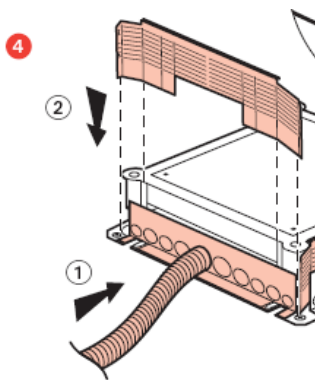
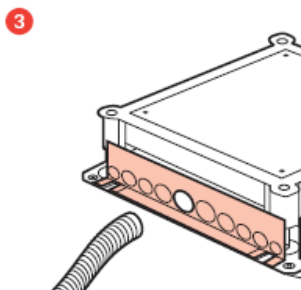


3- Installation of floor ductings or conduits

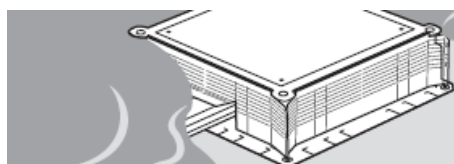
Adaptors for floor ducting (delivered with backboxes)



or (Cat.Nos 89639 : set of 2 adaptors for conduit Ø 16, 20 et 25)



And pouring the concrete



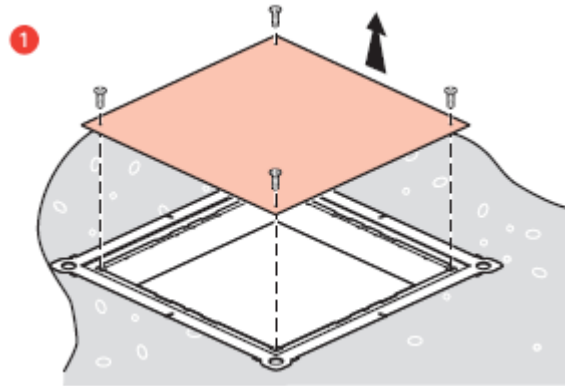
Heavy duty & water resistant Floor Boxes

Number(s) : 89683/84/85/86/87 & 89634/39

2 COVER SUPPORT INSTALLATION

Useful for heavy duty & water resistant floor boxes Cat.Nos 89685/86

- Set for standard load Cat.Nos 89683
- Set for heavy load Cat.Nos 89684



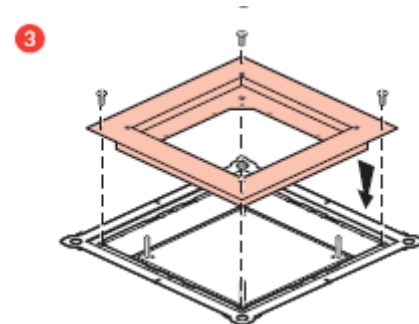
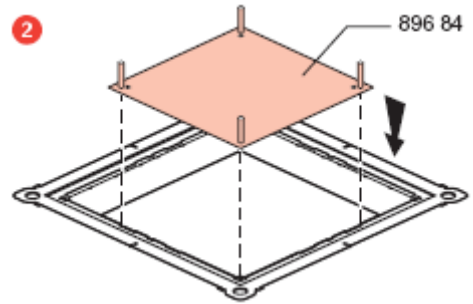
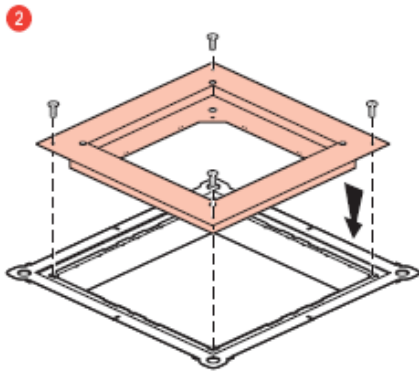
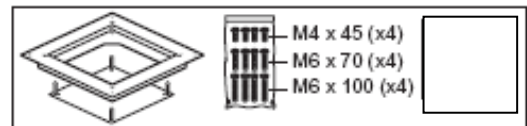
Standard load

896 83



Heavy Load

896 84

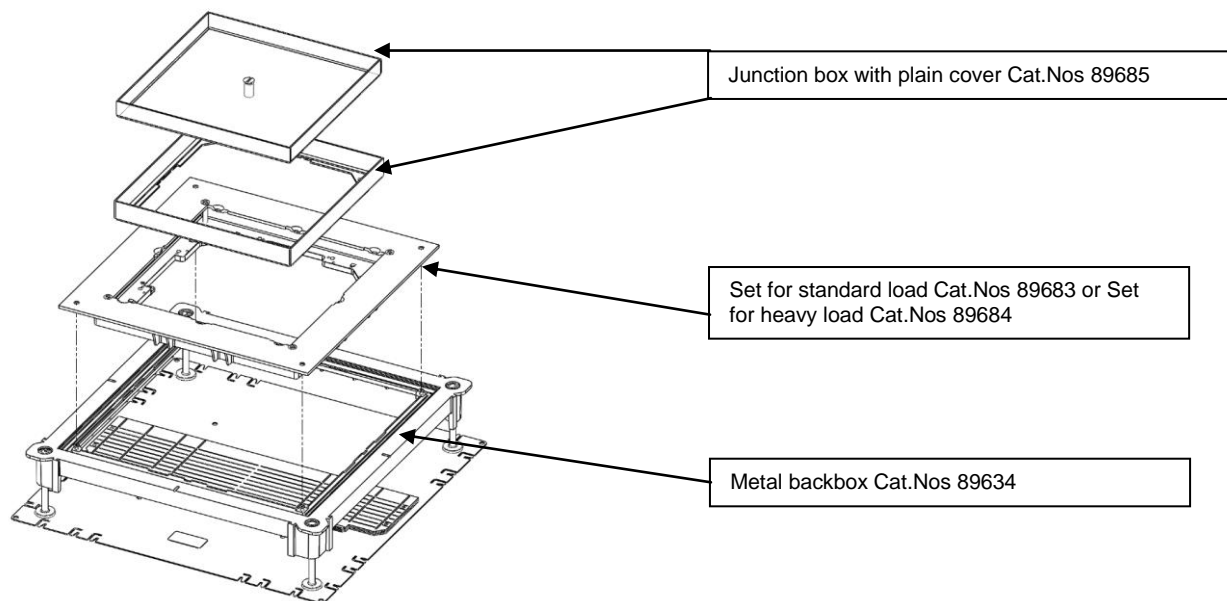


Heavy duty & water resistant Floor Boxes

Number(s) : 89683/84/85/86/87 & 89634/39

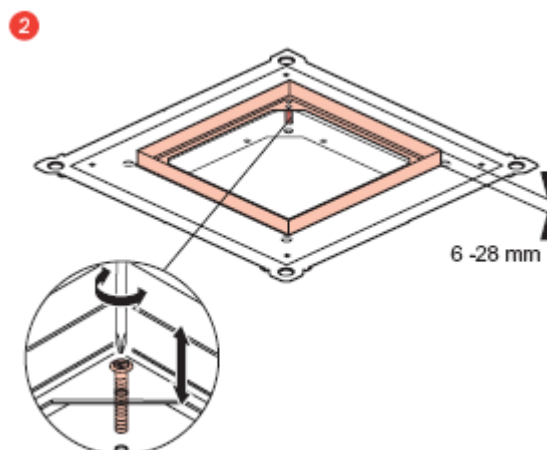
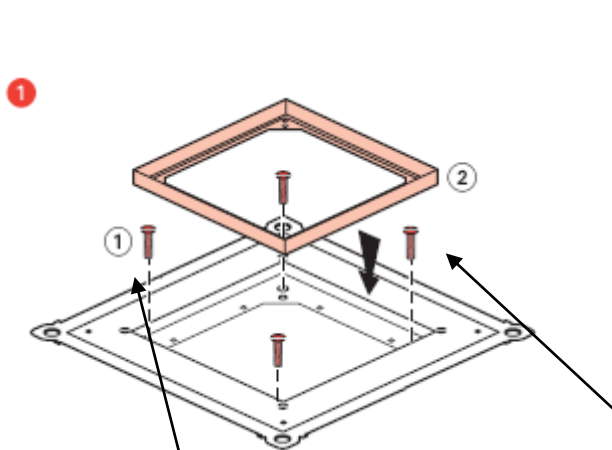
2 JUNCTION BOXES WITH PLAIN COVER

Junction box with plain cover Cat.Nos 89685



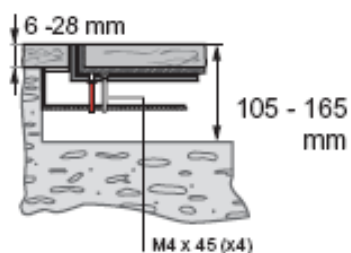
1- Cover height adjustment at the level of the finished floor

2- Cover support fixing



With the set for standard load Cat.Nos 89683, use the screws M6x40(x4)

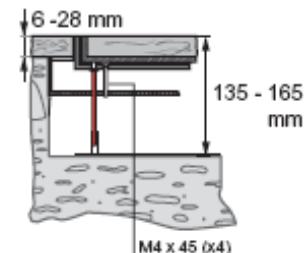
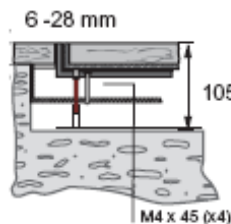
M6 x 40 (x4)



With the set for heavy load Cat.Nos 89684, use the screws M6x70(x4) or M6x100(x4) depending on the screed level

M6 x 70 (x4)

M6 x 100 (x4)



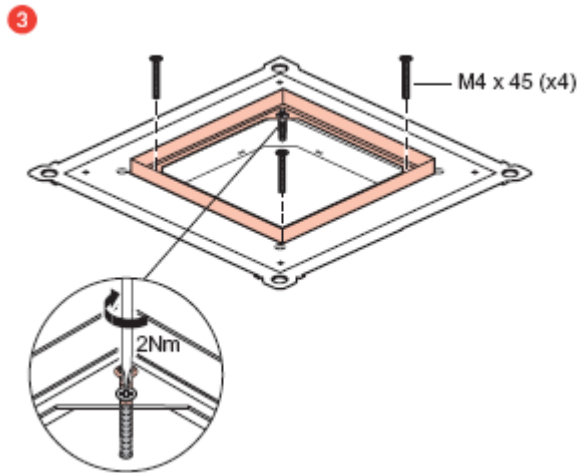
Heavy duty & water resistant Floor Boxes

Number(s) : 89683/84/85/86/87 & 89634/39

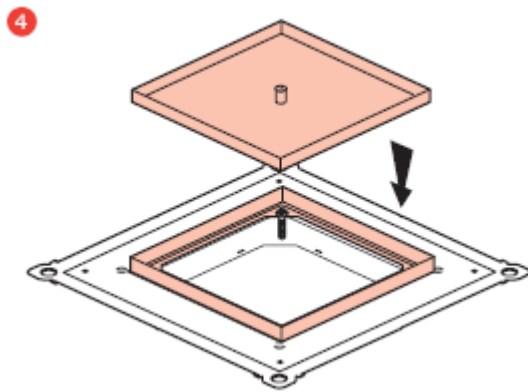
2 JUNCTION BOXES WITH PLAIN COVER

Junction box with plain cover Cat.Nos 89685

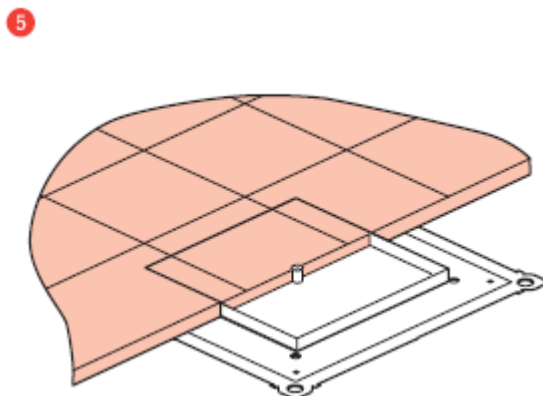
3- Locking



4- Cover fixing



5- Fitting the tiles

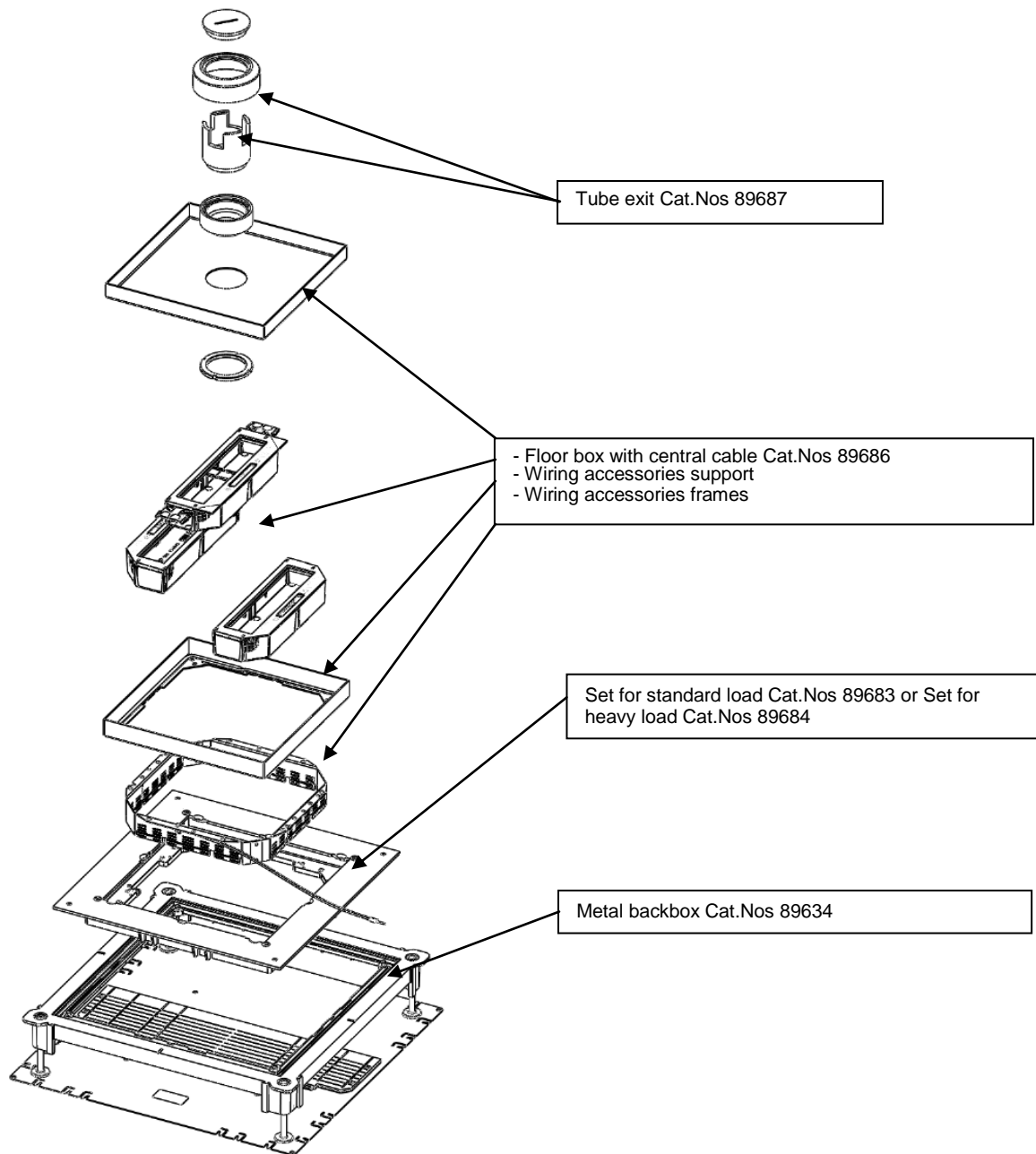


Heavy duty & water resistant Floor Boxes

Number(s) : 89683/84/85/86/87 & 89634/39

2 FLOOR BOXES WITH CENTRAL CABLE INSTALLATION

Floor box with central cable Cat.Nos 89686



Heavy duty & water resistant Floor Boxes

Number(s) : 89683/84/85/86/87 & 89634/39

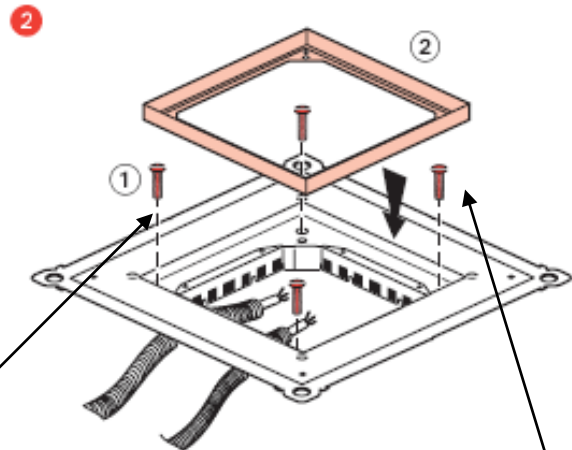
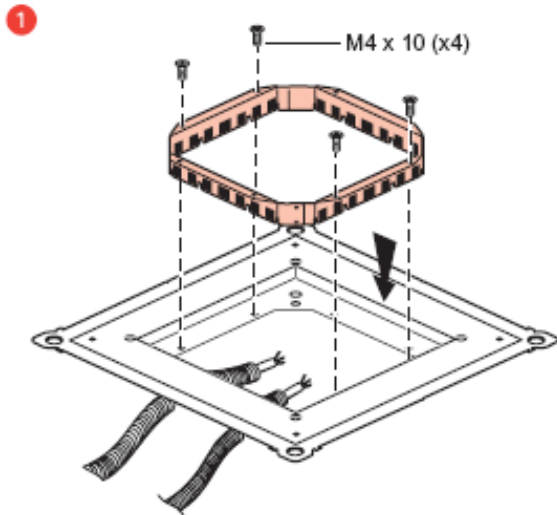
2 FLOOR BOXES WITH CENTRAL CABLE INSTALLATION

Wiring accessories support

Useful for installation of heavy duty & water resistant floor boxes Cat.Nos 89686

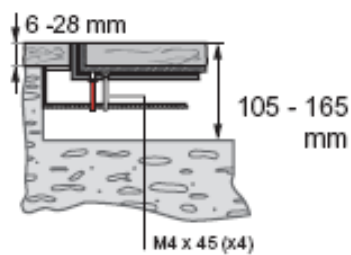
1- Support fixing in set Cat.Nos 89683 or 89684

2- Screws & Cover support fixing



With the set for standard load Cat.Nos 89683, use the screws M6x40(x4)

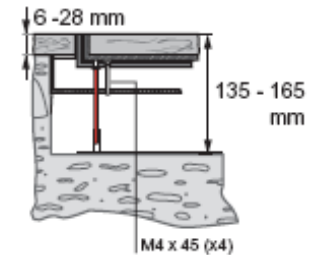
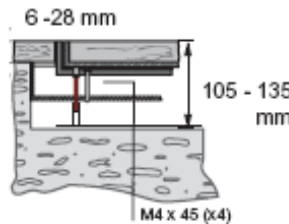
M6 x 40 (x4)



With the set for heavy load Cat.Nos 89684, use the screws M6x70(x4) or M6x100(x4) depending on the screed level

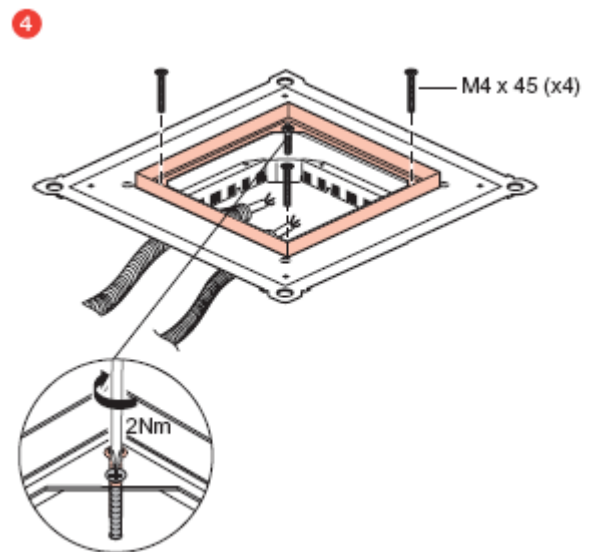
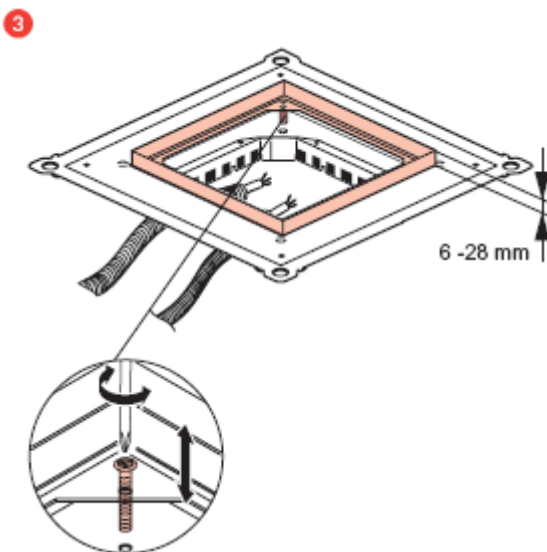
M6 x 70 (x4)

M6 x 100 (x4)



3- Support height adjustment for cover

4- Locking



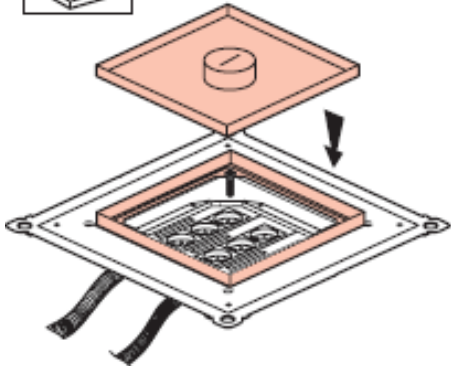
Heavy duty & water resistant Floor Boxes

Number(s) : 89683/84/85/86/87 & 89634/39

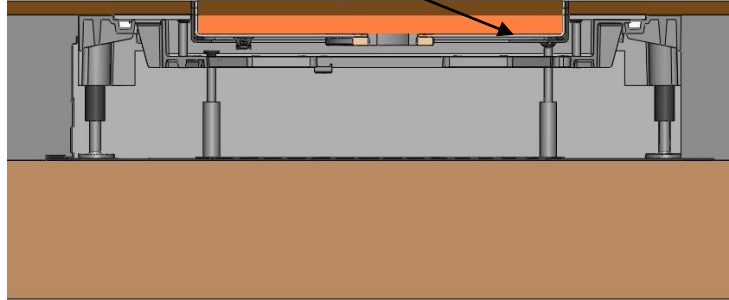
2 FLOOR BOXES WITH CENTRAL CABLE INSTALLATION

Floor box with central cable Cat.Nos 89686

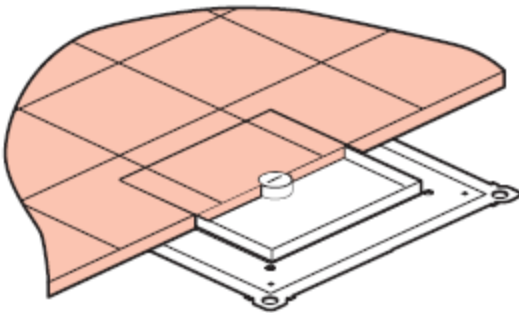
1- Cover installation



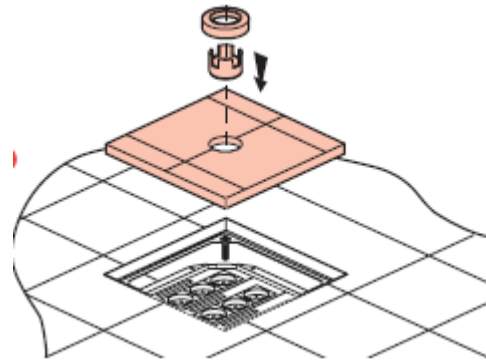
2- Before fitting coating, adjustment of the level of the inside of the cover with the help of the glue (depth of the glue = difference between the coating thickness and the cover height)



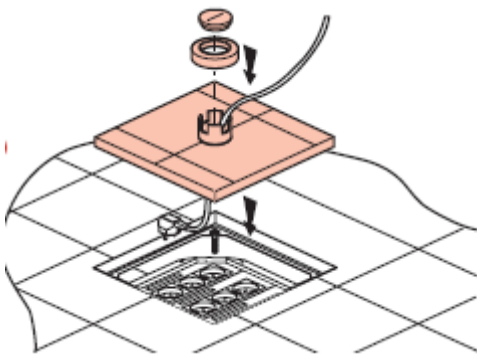
3- Fitting the tiles



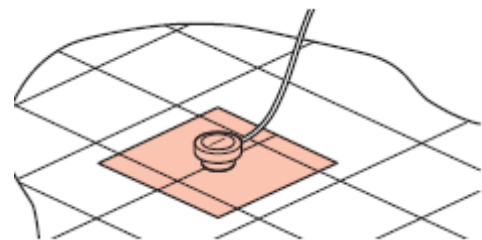
4- Installation of the tube exit (optional for the floor box with central cable)



5- Insertion and connection of the cable



6- Repositioning of the cover



Heavy duty & water resistant Floor Boxes

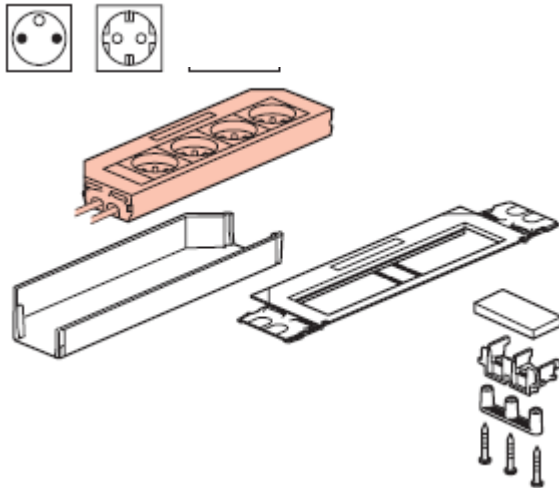
Number(s) : 89683/84/85/86/87 & 89634/39

2 WIRING ACCESSORIES FRAMES INSTALLATION

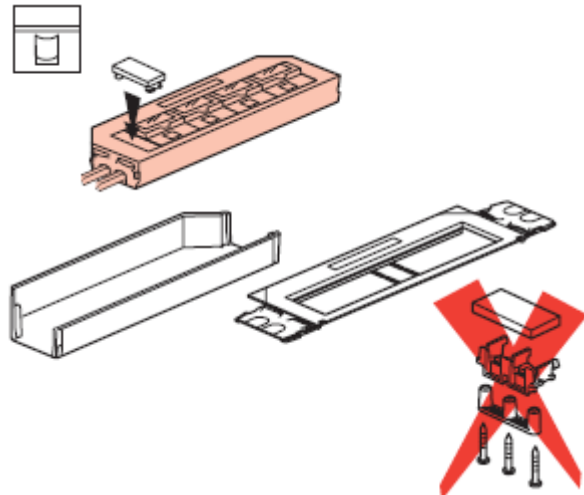
Wiring accessories frames

Useful for installation of heavy duty & water resistant floor boxes Cat.Nos 89686

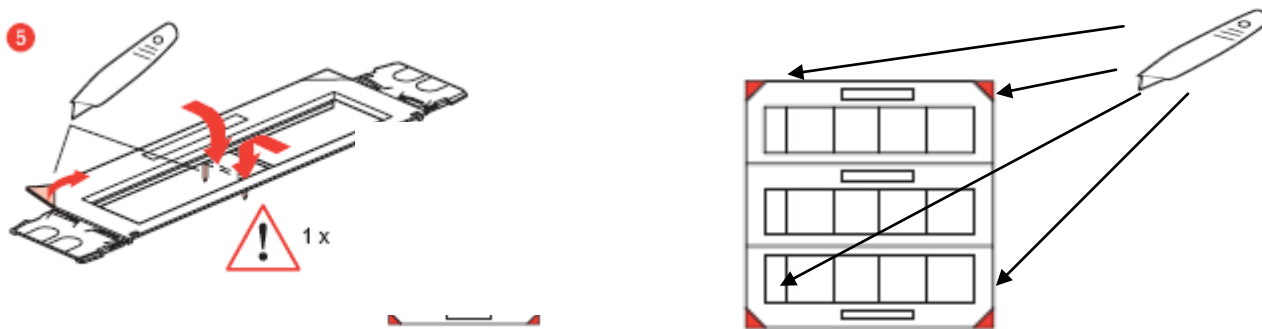
With power (8 mod. + tightener)



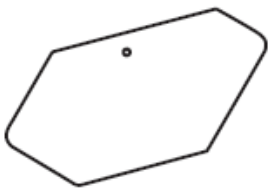
With data (9 mod.)



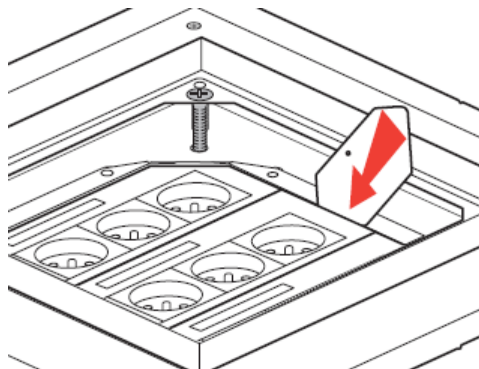
Wiring accessories frames in an heavy duty & water resistant floor boxes, look at hereunder drawing.



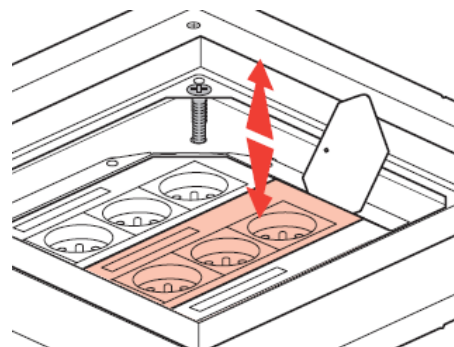
The wiring accessories frames are delivered with a card allowing the installation and the removing of the frames in the bottom of the floor box.



Insertion of the card for installation of the wiring accessories frames



Insertion of the card to remove the wiring accessories frames

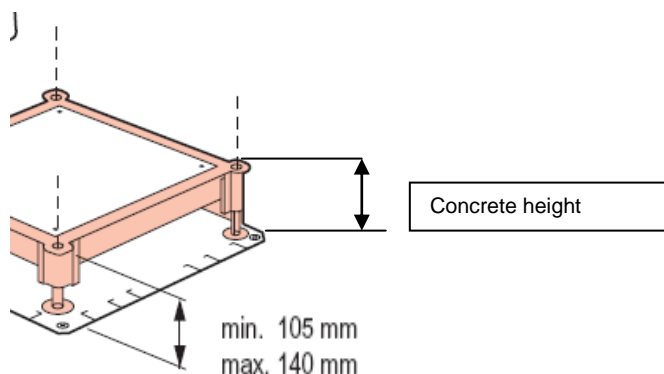


Heavy duty & water resistant Floor Boxes

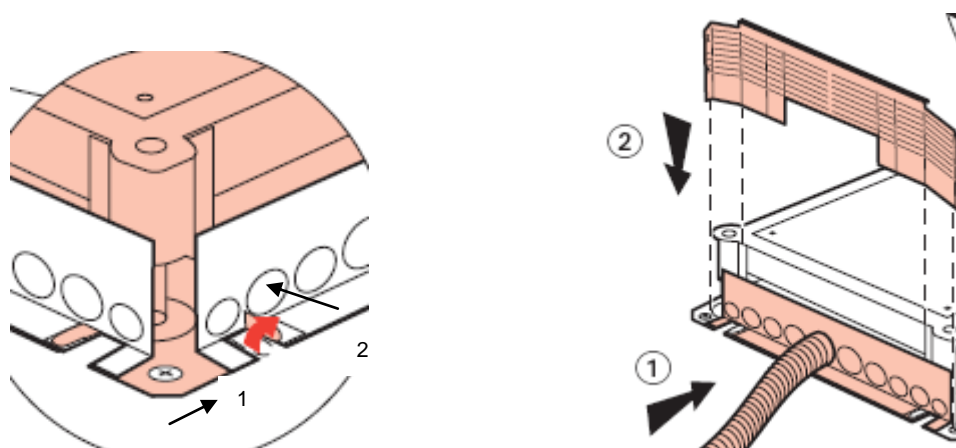
Number(s) : 89683/84/85/86/87 & 89634/39

3 TECHNICAL CHARACTERISTICS

Metal backbox including 4 sides for floor trunking & one accessory for height adjustment.
Cat.Nos 89639 : set of 2 adaptors for conduit Ø 16, 20 et 25

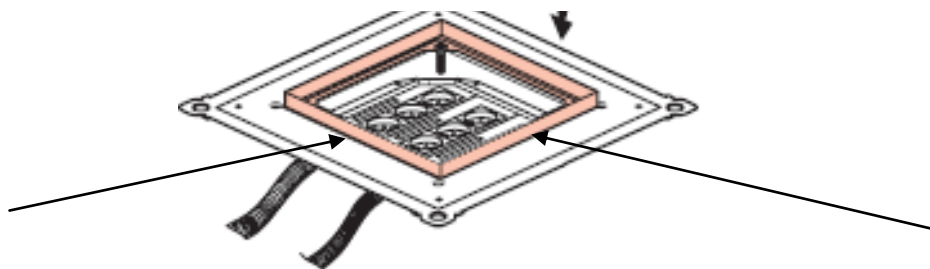


The backbox is adjustable in height, its height has to be the same as the concrete
For fixing adaptors for conduits in the bottom of the backbox, look at hereunder drawing)



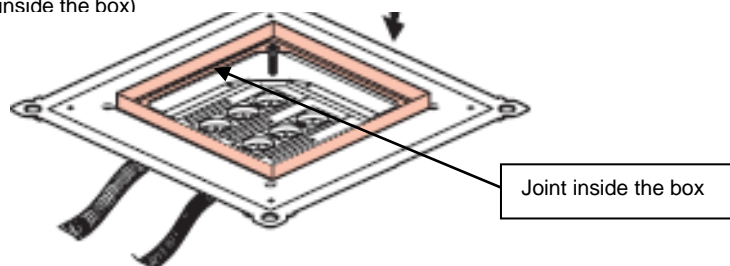
Important:

Before the installation of the final coating, to make a joint around the support lid for a good sealing.



Concerning the installation of tiling, to leave 5 mm all around the support lid to make a joint there.

The interior of floor box does not have to receive waste/dust during the installation of equipment as before the installation of the lid (this guaranteeing the effectiveness of the joint inside the box)



Attention to pose the whole on the level well it final ground to avoid the water stagnation or all other liquidates (floor boxes are recommended only of use inside)

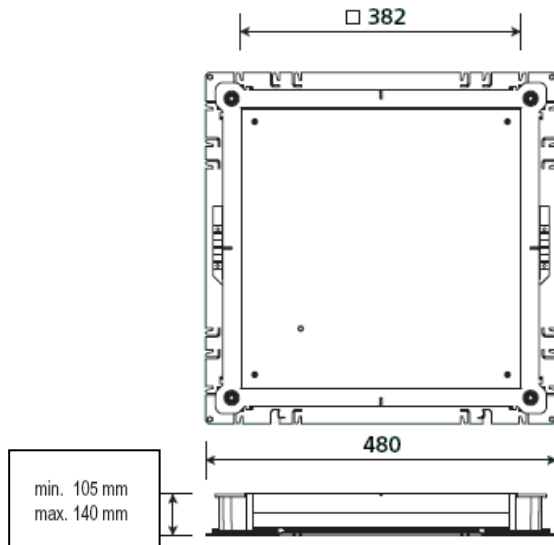
Heavy duty & water resistant Floor Boxes

Number(s) : 89683/84/85/86/87 & 89634/39

3 TECHNICAL CHARACTERISTICS

(for support & cover)

Dimensions :

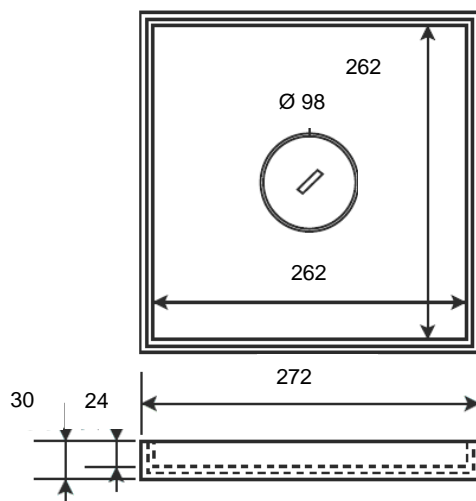


Installation principle :

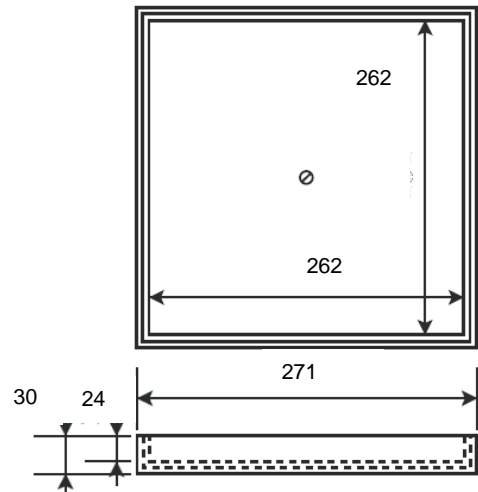
In order to install wiring accessories, it is necessary to adjust the backbox at the level concrete of 105mm.

Dimension in mm of the cover of floor boxes :

Cover for floor boxes with central cable



Cover for junction boxes (plain cover)


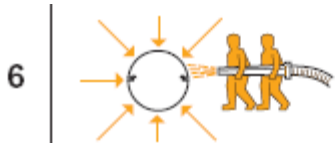
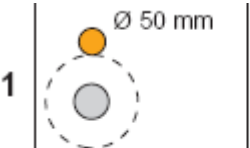

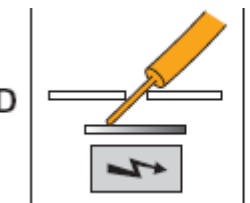


Heavy duty & water resistant Floor Boxes

Number(s) : 89683/84/85/86/87 & 89634/39

3 TECHNICAL CHARACTERISTICS

Index of protection (IP)

| | | |
|---|--------|--|
| Ref 89685, cover closed | IP66 | <p>1 st digit : protection against solid bodies</p>  <p>Completely protected against dust</p> <p>2 nd digit : protection against liquids</p>  <p>Protected against jets of water of similar force to heavy seas</p> |
| Ref 89686 Cover closed and Plugs not connected | | |
| Ref 89686 + 89687 Plugs connected | IP14-D | <p>1 st digit : protection against solid bodies</p>  <p>Protected against solid bodies larger than 50 mm</p> <p>2 nd digit : protection against liquids</p>  <p>Protected against projections of water from all directions</p> <p>Additional letter IP XX (ABCD) : protection against direct contact resulting from the access to hazardous current-carrying parts.</p>  <p>The dangerous parts can not be touched when introducing a wire</p> |

4 MATERIAL CHARACTERISTICS.

Covers : Stainless steel 304L
 Backboxes : Galvanized steel+ Zamac
 Wiring accessories frames: polypropylene
 Tube exit : Stainless steel 304L