

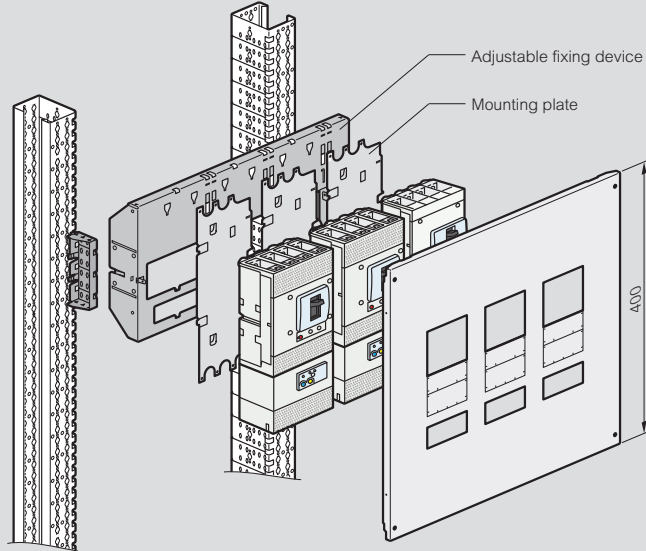
**XL<sup>3</sup> 4000** equipment for mounting on adjustable plates:  
**DPX<sup>3</sup> 630 fixed version**

**XL<sup>3</sup> 4000** equipment for mounting on adjustable plates:  
**DPX<sup>3</sup> 630 plug-in, draw-out version or supply invertors**

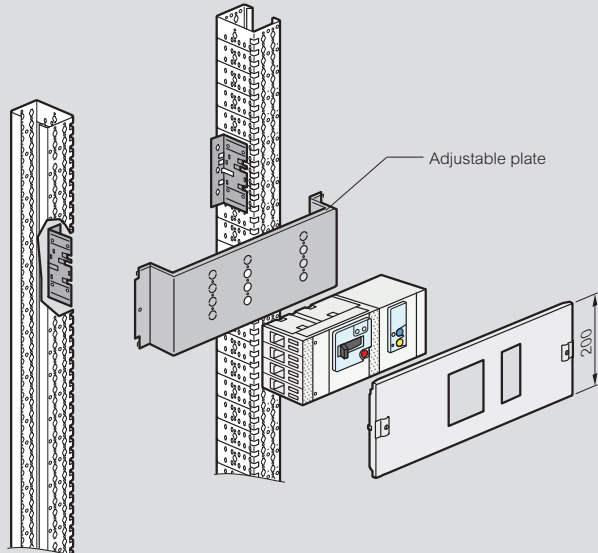
**Installation principle**

Fixing devices or sliding plates are used for mounting DPX<sup>3</sup>, without the use of screws, in all configurations due to the indexing of the functional uprights

**Fixing devices in vertical position**



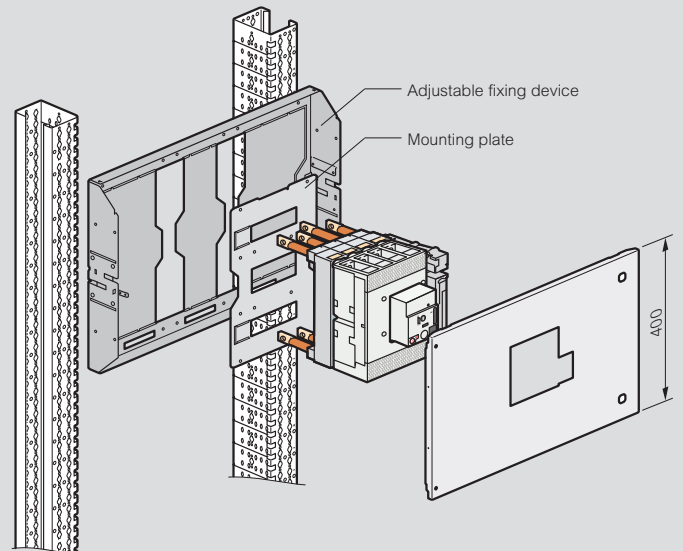
**Fixing devices in horizontal position**



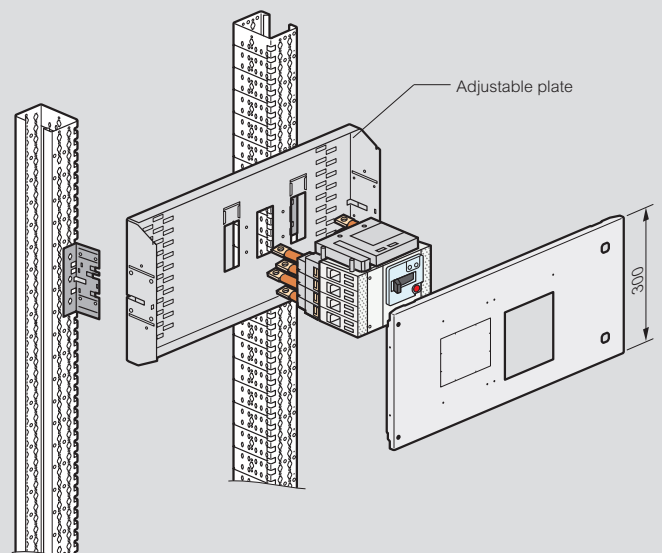
**Installation principle**

Fixing devices or sliding plates are used for mounting DPX<sup>3</sup>, without the use of screws, in all configurations due to the indexing of the functional uprights

**Fixing devices in vertical position**



**Fixing devices in horizontal position**

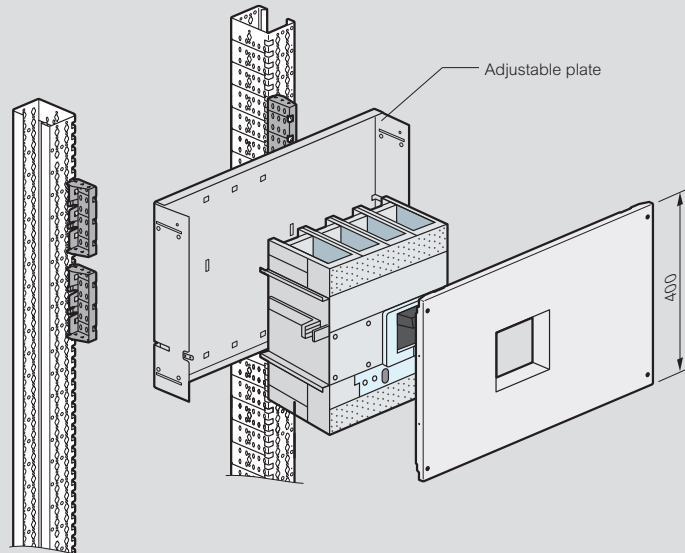


**XL<sup>3</sup> 4000** equipment for mounting on adjustable plates:  
**DPX<sup>3</sup> 1600 fixed version**

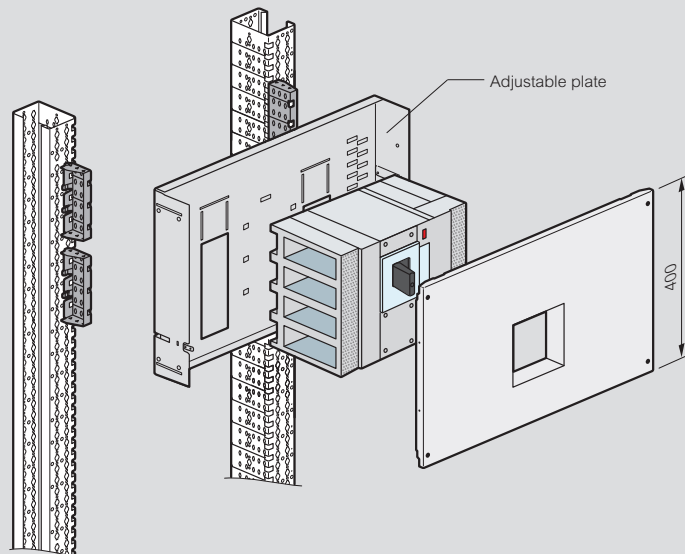
**Installation principle**

Sliding plates are used for mounting DPX<sup>3</sup>, without the use of screws, in all configurations due to the indexing of the functional uprights

**Fixing devices in vertical position**



**Fixing devices in horizontal position**

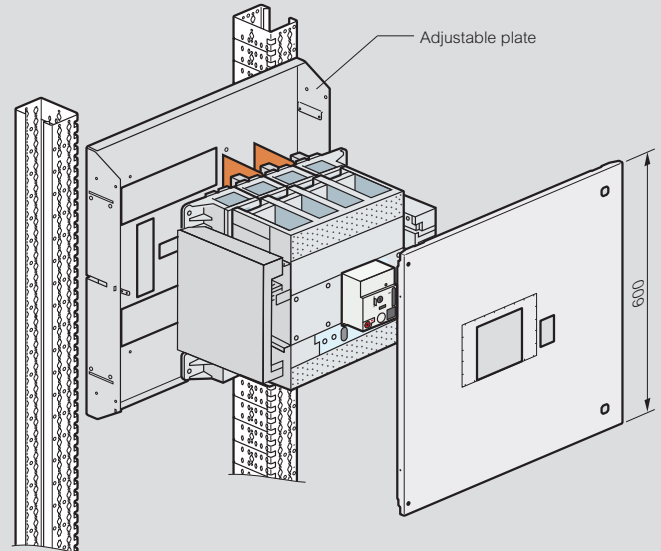


**XL<sup>3</sup> 4000** equipment for mounting on adjustable plates:  
**DPX<sup>3</sup> 1600 draw-out version and supply invertors**

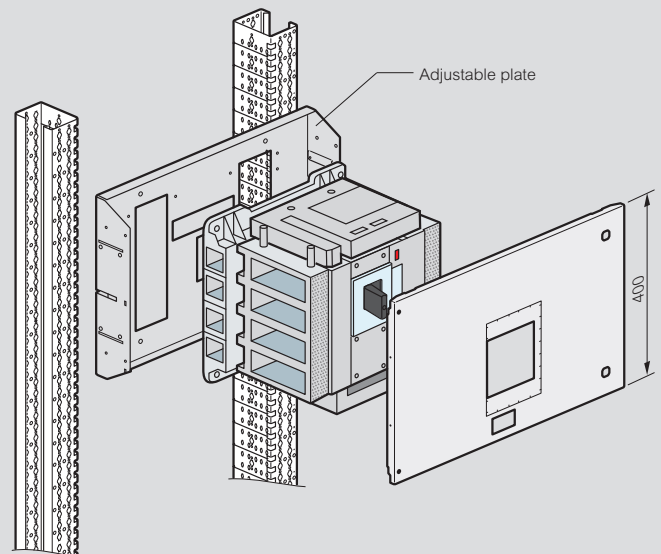
**Installation principle**

Sliding plates are used for mounting DPX<sup>3</sup>, without the use of screws, in all configurations due to the indexing of the functional uprights

**Fixing devices in vertical position**



**Fixing devices in horizontal position**



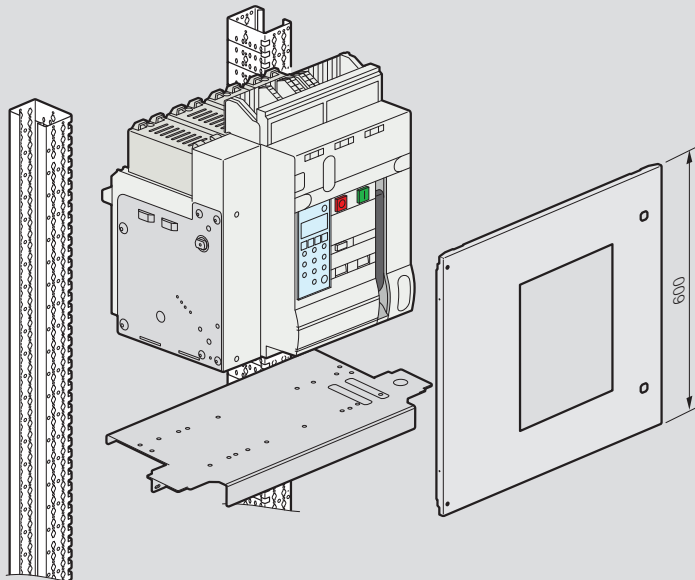
**XL<sup>3</sup> 4000** equipment for mounting on plate:  
DMX<sup>3</sup> and DMX<sup>3</sup>-I fixed or draw-out version

**XL<sup>3</sup> 4000**  
modular distribution enclosures

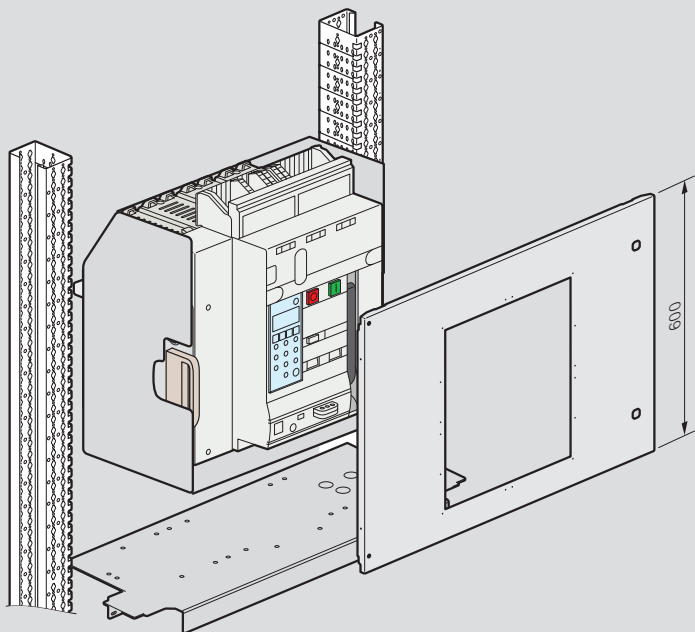
**Installation principle**

Fixing plates are fixed directly onto the functional uprights

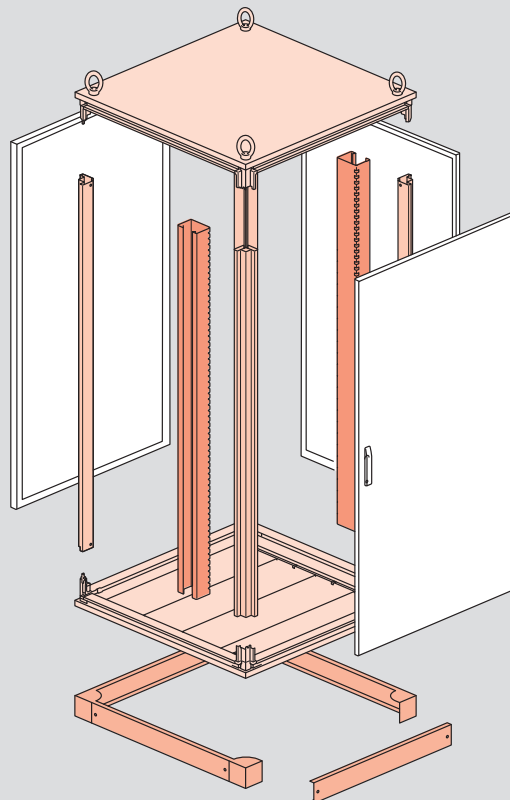
**For fixed version DMX<sup>3</sup>**



**For draw-out version DMX<sup>3</sup>**



**Installation principle**



- Roof base
- Structural uprights
- Intermediate structural uprights
- Rear and side panels
- Plinths

**Dimensions**

External dimensions (mm)

