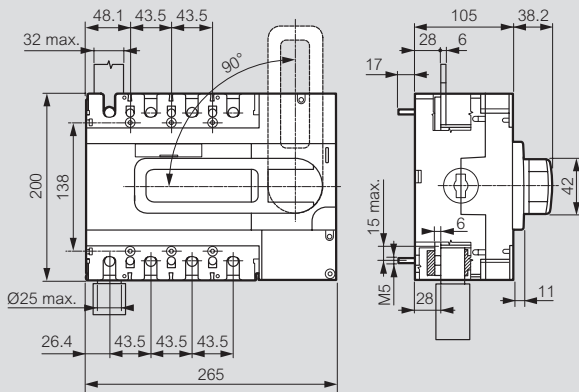


DPX™-IS 630 isolating switches

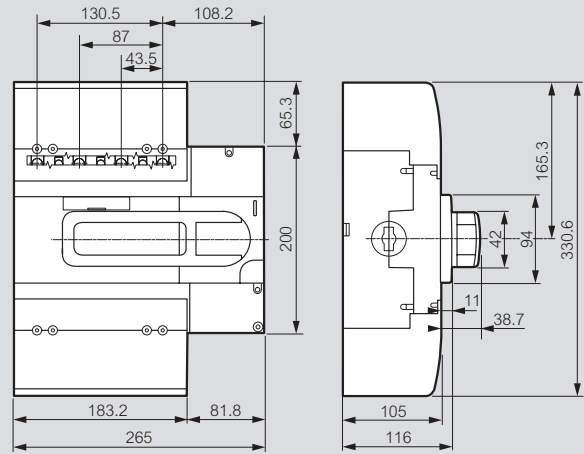
400 to 630 A

■ Dimensions

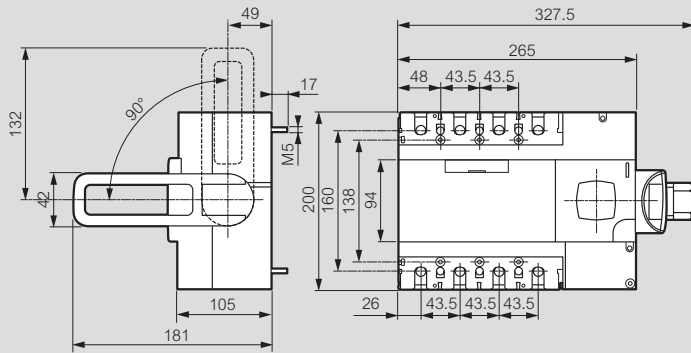
Front handle



Front handle with terminal shields



Right hand side handle



Left hand side handle

