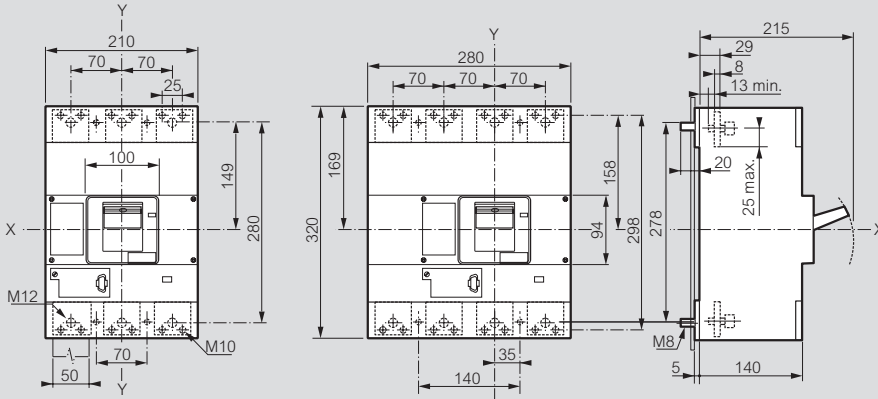
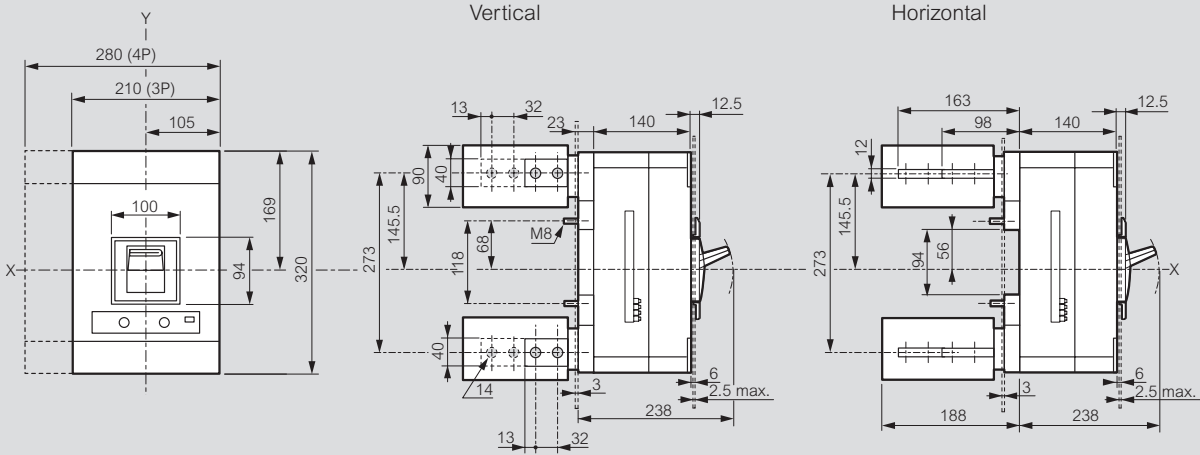


Dimensions

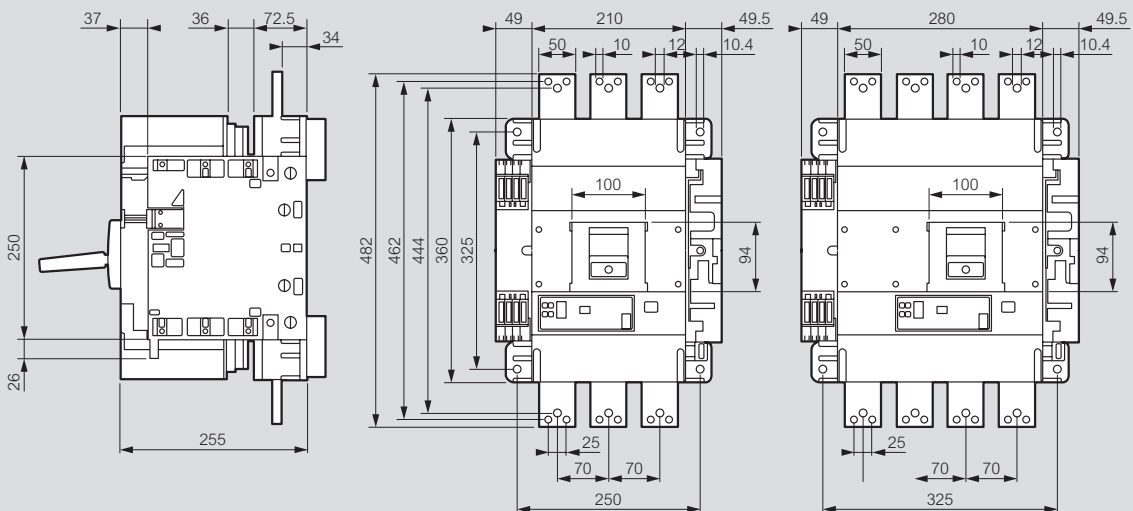
Fixed version, front terminals



Fixed version, rear terminals



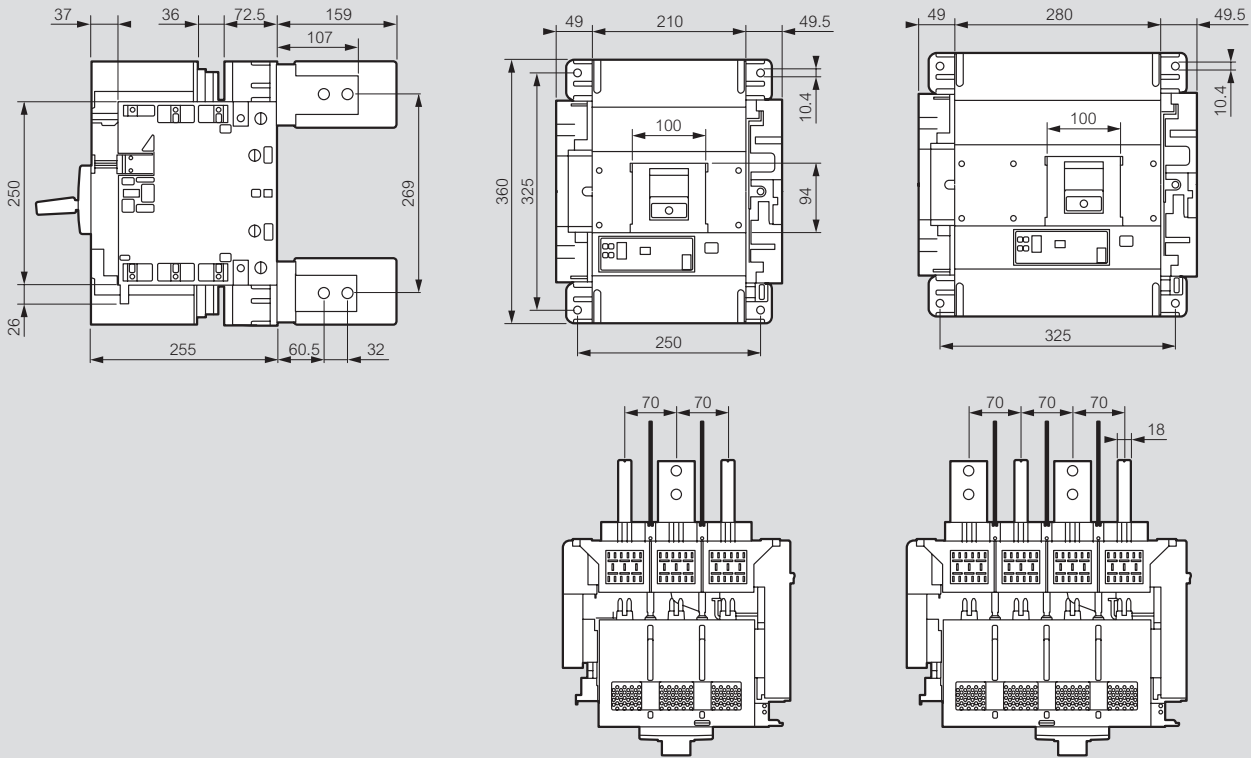
Draw-out version, front terminals



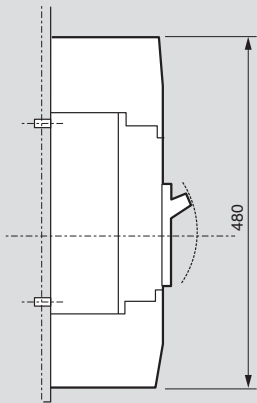
DPX³ 1600 (continued)

Dimensions (continued)

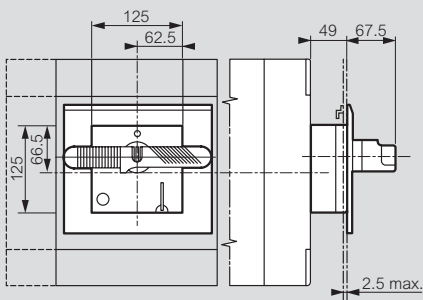
Draw-out version, rear terminals (continued)



Terminal shields

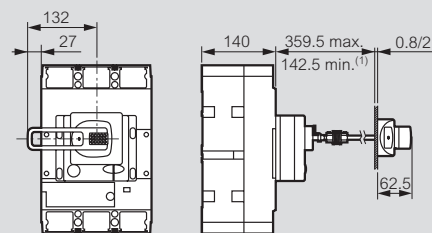


Rotary handle-direct on DPX³



Rotary handle-vari-depth handle on door

Mounting with flexible seal



1: 75 mm without mechanical system