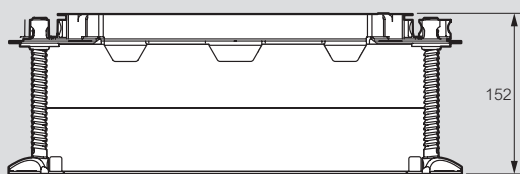
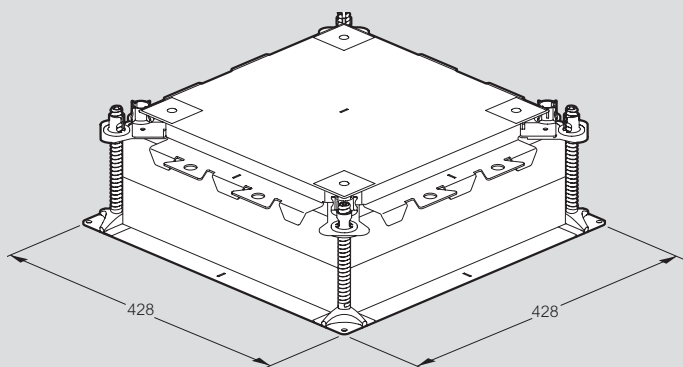


Universal adjustable backbox and extension kit

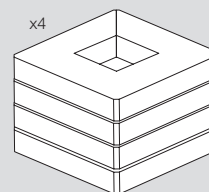
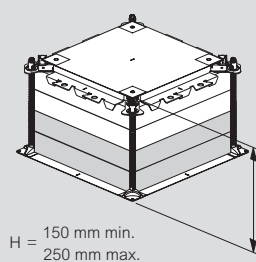
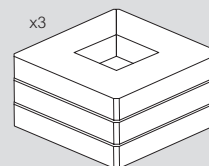
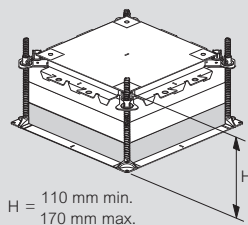
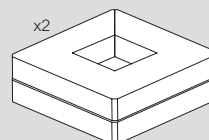
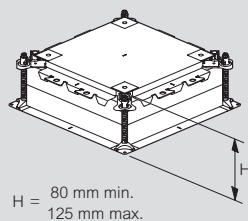
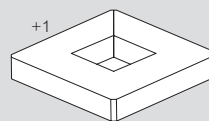
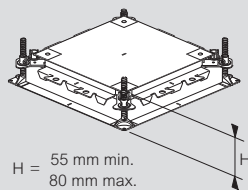
technical characteristics

■ Dimensions

Universal adjustable backbox Cat.No 0 880 80



■ Installation principle

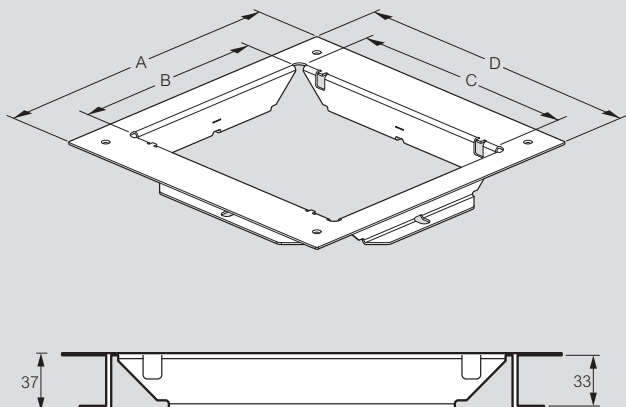


Adaptors for floor boxes

technical characteristics

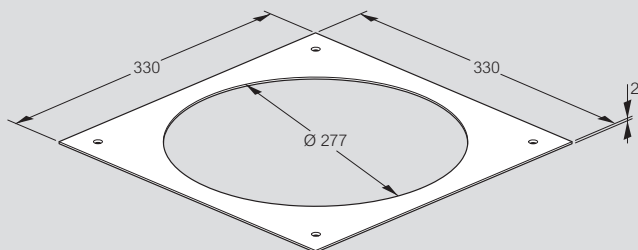
■ Dimensions

Cat.Nos 0 880 81/82/83



Cat.No	A (mm)	B (mm)	C (mm)	D (mm)
0 880 81		182		
0 880 82	330	219	265	330
0 880 83		265		

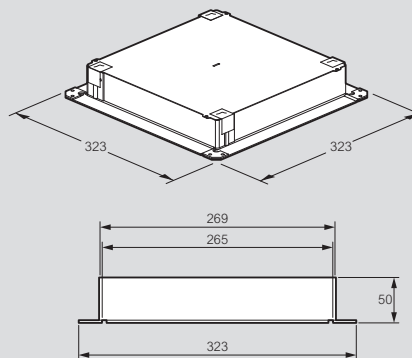
Cat.No 0 880 89



Finishing kit for waxed concrete

technical characteristics

■ Dimensions



■ Installation principle in concrete floor

