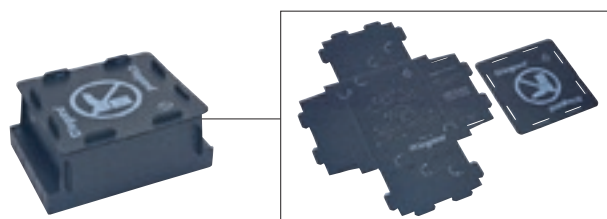


## 12-module floor boxes



## 12-module floor boxes

### technical characteristics



0 881 70



0 881 71

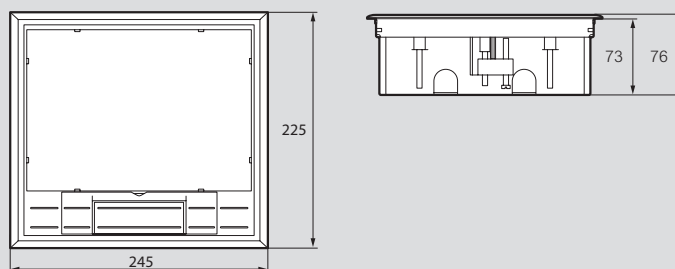


0 881 72

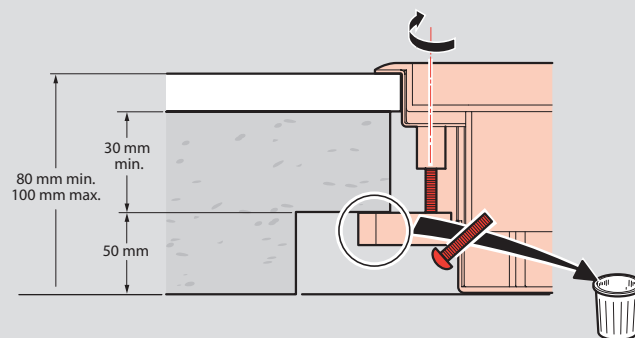
Technical characteristics **see e-catalogue**

Emb.	Réf.	Plastic cover floor boxes
4	0 881 71	<p>To be equipped with Arteur or Mosaic Programme wiring accessories (direct clipping)                      Supplied with fixing supports for wiring devices                      Can be installed directly into raised access floors                      For screed floors use the backbox Cat.No. 0 881 70                      Flooring thickness <math>\leq 8</math> mm</p> <p><b>For wiring devices in vertical position</b>                      12 modules (2 x 6)                      Minimum height:                      - screed floor: 80 mm                      - raised access floor: 75 mm</p>
4	0 881 72	<p><b>For wiring devices in horizontal position</b>                      12 modules (2 x 6)                      Minimum height:                      - screed floor: 90 mm                      - raised access floor: 75 mm</p>
10	0 881 70	<p><b>Screed floor backbox</b>                      For installation of 12-module floor boxes                      Cat.Nos 0 881 71/72                      into screed floors                      Flat-pack, to be folded during installation</p>

### ■ Dimensions



### ■ Installation in concrete floor with backbox Cat.No 0 881 70



### ■ Installation in raised floor

