

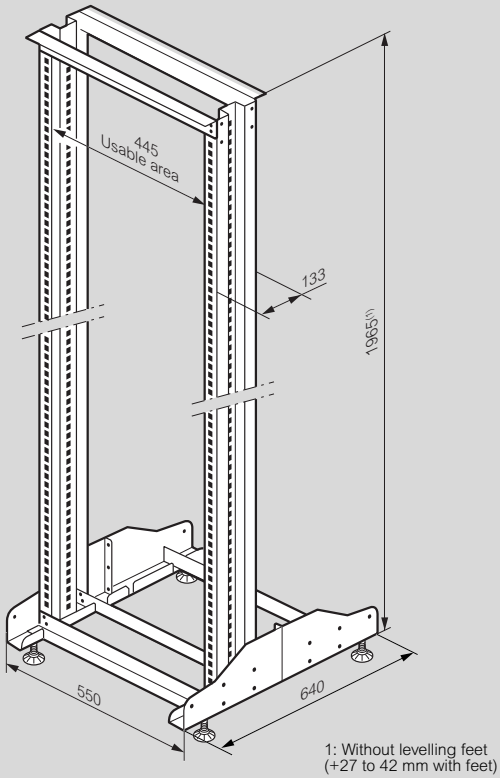
# Bati-rack

## Bati-rack general characteristics

Metal bati-rack  
 RAL 7035 textured polyester coating providing excellent resistance to corrosion and scratching  
 Perforations in 19" uprights: 9.5 x 9.5 mm  
 Permissible load: 300 kg

## Dimensions (mm)

### 2-upright bati-rack Cat.No 0 463 95



### 4-upright bati-rack Cat.No 0 463 96

