

Linkeo 19" wall-mounting cabinets

General characteristics

Metal wall-mounting cabinets
RAL 7016 textured polyester coating providing excellent resistance to corrosion and scratching
Safety glass door
Protection index (weatherproof) against solid objects and liquids: IP 20
Protection index against mechanical shocks: IK 08
Perforations in 19" uprights: 9.5 x 9.5 mm
Permissible load: 3 kg/U

Compliance with standards

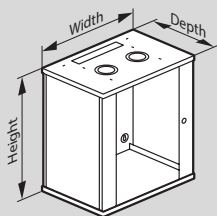
Linkeo cabinets comply with the following standards:

IEC 60529 EN 60529	(NF C 20-010) Degrees of protection provided by enclosures (IP code)
IEC 62262 EN 62262	(EN 50102, NF C 20-015) Degrees of protection provided by enclosures for electrical equipment against external mechanical impacts (IK code)
IEC 60950-1 EN 60950-1 C 77-210-1	Safety of data processing equipment
EIA-310-E	Cabinets, racks, panels and associated equipment (ANSI/EIA-310-D-2005)
IEC 60297-3-100 DIN 41414-7	(NF C 20-150, NF C 20-151) Dimensions of mechanical structures of the 482.6 mm (19 in) series

Linkeo cabinets can be integrated in installations complying with the following standards:

EN 50173-1	Information technology - Generic cabling systems
EN 50174-1 & 2 C 90-480-1 & 2	Information technology - Cabling installation
ISO IEC 11801	Information technology - Generic cabling for customer premises
NF C 15-100 Part 4-41	Low voltage electrical installations - Recommendations
UTE C90-483	Residential cabling for communication networks
IEC 60364-4-41	Low voltage electrical installations - Protection for safety - Protection against electric shock

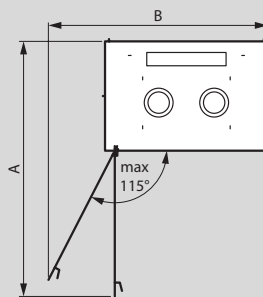
Dimensions (mm)



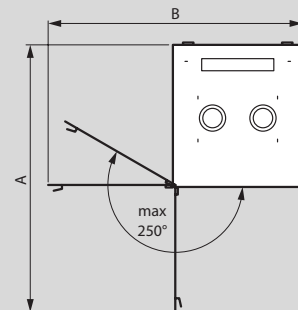
	Cat.Nos	Capacity	Height	Width	Depth	
19" fix cabinet	fix side panels	6 462 00	6 U	358	600	450
		6 462 01	9 U	492	600	450
		6 462 02	12 U	625	600	450
		6 462 03	15 U	758	600	450
		6 462 04	18 U	892	600	450
		6 462 05	21 U	1035	600	450
		6 462 10	6 U	358	600	600
	removable side panels	6 462 11	9 U	492	600	600
		6 462 12	12 U	625	600	600
		6 462 13	15 U	758	600	600
		6 462 14	18 U	892	600	600
		6 462 15	21 U	1035	600	600
		6 462 50	6 U	338	600	450
		6 462 51	9 U	471	600	450
		6 462 52	12 U	604	600	450
19" pivoting cabinets	6 462 23	15 U	738	600	610	
	6 462 24	18 U	871	600	610	
	6 462 25	21 U	1004	600	610	
	6 462 21	9 U	471	600	610	
	6 462 22	12 U	604	600	610	
10" fix cabinet	6 462 30	6 U	358	370	300	

Door opening (mm)

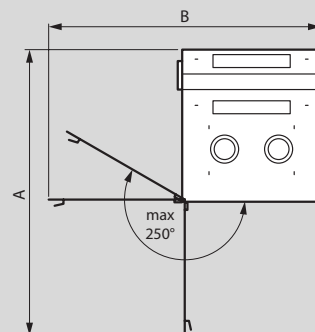
19" fix cabinets with fix side panels Cat.Nos 6 462 00/.../15



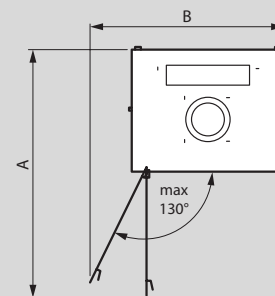
19" fix cabinets with removable side panels Cat.Nos 6 462 50/.../65



19" pivoting cabinets Cat.Nos 6 462 21/.../25



10" cabinet Cat.No 6 462 30



	Cat.Nos	Capacity	A	B	
19" fix cabinet	fix side panels	6 462 00	6 U	930	795
		6 462 01	9 U	930	795
		6 462 02	12 U	930	795
		6 462 03	15 U	930	795
		6 462 04	18 U	930	795
		6 462 05	21 U	930	795
		6 462 10	6 U	1130	795
	removable side panels	6 462 11	9 U	1130	795
		6 462 12	12 U	1130	795
		6 462 13	15 U	1130	795
		6 462 14	18 U	1130	795
		6 462 15	21 U	1130	795
		6 462 50	6 U	985	1080
		6 462 51	9 U	985	1080
		6 462 52	12 U	985	1080
19" pivoting cabinets	6 462 53	15 U	985	1080	
	6 462 54	18 U	985	1080	
	6 462 55	21 U	985	1080	
	6 462 60	6 U	1135	1080	
	6 462 61	9 U	1135	1080	
10" fix cabinet	6 462 62	12 U	1135	1080	
	6 462 63	15 U	1135	1080	
	6 462 64	18 U	1135	1080	
	6 462 65	21 U	1135	1080	
	6 462 21	9 U	1140	1080	
	6 462 22	12 U	1140	1080	
	6 462 23	15 U	1140	1080	
	6 462 24	18 U	1140	1080	
	6 462 25	21 U	1140	1080	
	6 462 30	6 U	600	575	