
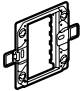
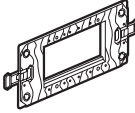
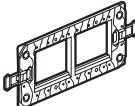

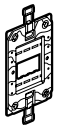
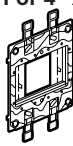
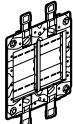
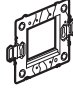
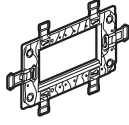
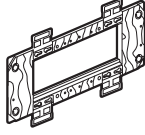
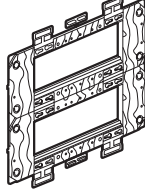

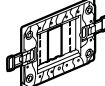
 Plate selection charts **p. 480-487**

Pack	Cat.Nos	Support frames for BS type boxes 60.3 mm fixing centres
10	5 760 03	Screw mounting (screws supplied) For 1 gang box Square - for 1 or 2 modules 
5	5 760 01	Square - for 3 modules 
10	5 760 02	For 2 gang box Rectangular - for 3 modules 
10	5 760 00	Rectangular - for 2 x 2 modules 

10	5 760 30	Support frames for US and South African type boxes 83.5 mm fixing centres Screw mounting For 2" x 4" boxes For 2 modules (electronic functions except 2-module mechanisms to be mounted on 3-module support frame) 
10	5 760 40	For 1 to 3 modules 
5	5 760 31	For 4" x 4" boxes For 2, 3 and 4 modules 
5	5 760 32	For 2 x 3 modules 

Pack	Cat.Nos	Support frames for German and French type boxes
10	5 760 21	Screw mounting For 1 or 2 modules 
5	5 760 11	For 4 modules 
5	5 760 12	For 6 modules Horizontal mounting 
2	5 760 22	For 2 x 6 modules Horizontal mounting 
5	5 760 20	Claw mounting For 1 or 2 modules 

10	5 760 40	Support frame for Italian type boxes 83.5 mm fixing centres Screw mounting For 1 to 3 modules 
----	----------	--