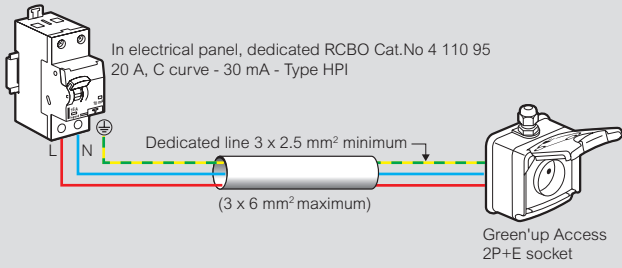


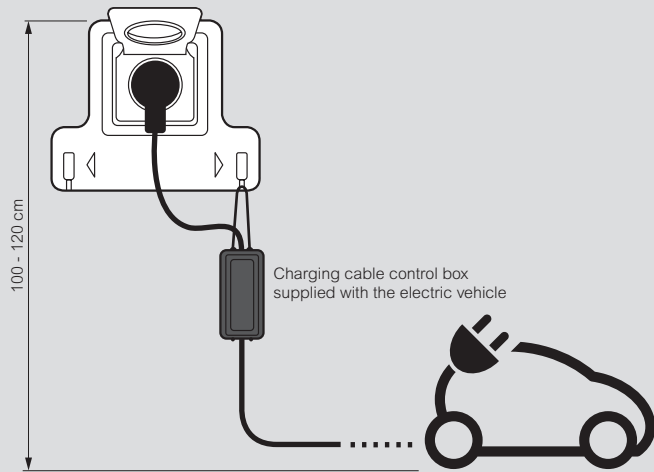


**Installation principle for an individual Mode 2 socket**



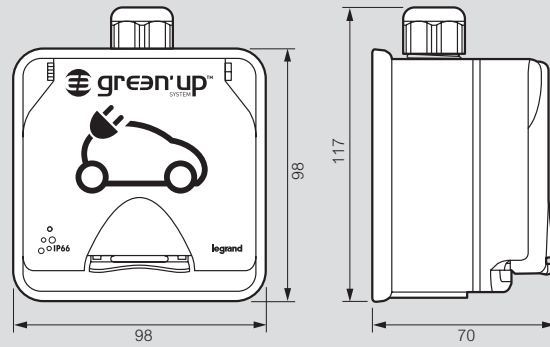
- Can be controlled by clock/switch type control units, etc. (to be ordered separately)
- Use of a surge protective device is recommended

**Use of bracket Cat.No 0 904 78**

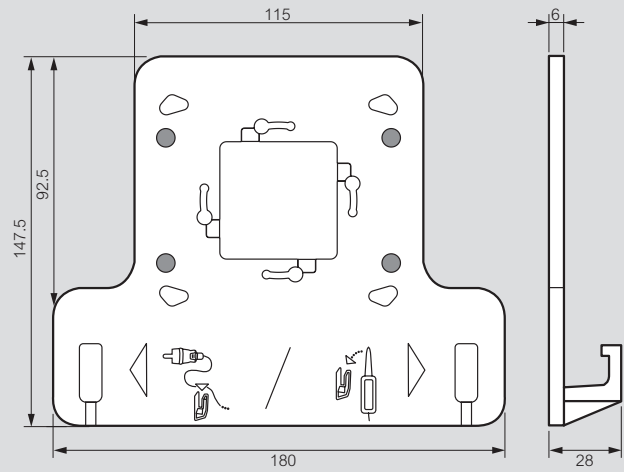


**Dimensions**

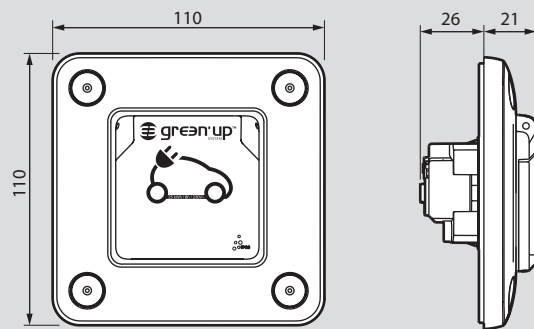
Cat.No 0 904 72



Cat.No 0 904 78



Cat.No 0 778 56



Cat.No 0 778 57

