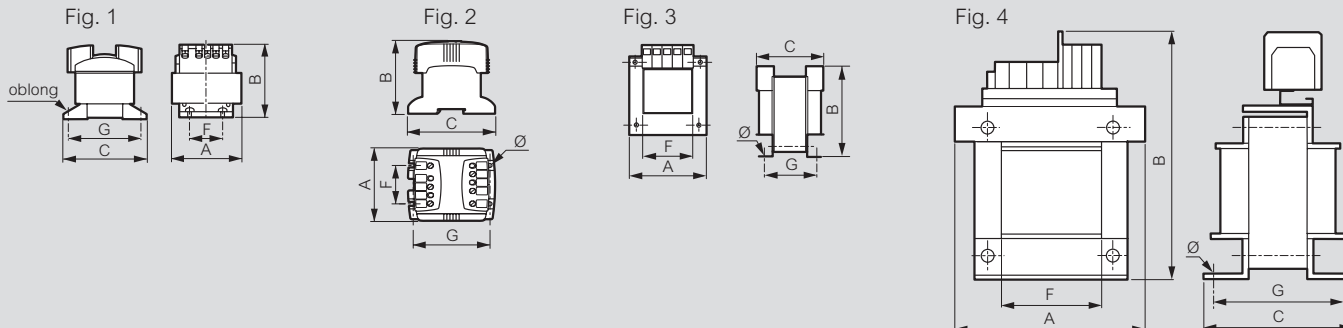


Equipment transformers

single-phase

Characteristics

- Insulation voltage:
- between windings: 4 470 V
 - between primary and earth: 2 240 V
 - between secondary and earth: 250 V for 12, 24 and 48 V and 1780 V for 115 and 230 V



Cat.Nos	Power (VA)	AIO (V) cos φ 0.5	Fig.	Dimensions (mm)			Fixing (mm)			Weight (kg)	No load loss (W)	Total losses at 100% load (W)	Voltage drop (%)		Efficiency (%)		Ucc (%)	Connection PRI			Connection SEC		
				A	B	C	F	G	Ø				cos φ 1	cos φ 0.45	cos φ 1	cos φ 0.45		flexible	rigid	lug Ø (mm)	flexible	rigid	lug Ø (mm)
Single-phase safety transformers: Primary 230-400 V - Sec 12-24 V																							
0 428 40	40	55	1	84	70	98	40	86	4.5	0.9	3.7	13.3	18.3	12.7	0.75	0.58	15.6	1 to 4	1 to 4	4.5	1 to 4	1 to 4	4.5
0 428 41	63	91	1	84	77	98	40	86	4.5	1.3	4.9	16.7	13.5	10.2	0.8	0.64	11.8	1 to 4	1 to 4	4.5	1 to 4	1 to 4	4.5
0 428 42	100	140	1	84	86	98	40	86	4.5	1.6	6.2	21.0	10.5	8.7	0.83	0.68	9.5	1 to 4	1 to 4	4.5	1 to 4	1 to 4	4.5
0 428 43	160	205	1	84	104	98	40	86	4.5	2.4	9.1	32.8	8.8	7.4	0.83	0.69	7.9	1 to 4	1 to 4	4.5	1 to 4	1 to 4	4.5
0 428 44	220	290	1	96	115	110	40	98	4.5	3.4	12.6	38.8	6.9	6.3	0.85	0.71	6.5	1 to 4	1 to 4	4.5	1 to 4	1 to 4	4.5
0 428 45	310	345	2	106	123	115	50	100	5.2	3.8	14.2	54.9	7.3	6.2	0.85	0.72	8.2	1 to 4	1 to 4	4.5	1 to 4	1 to 4	4.5
0 428 46	450	1000	3	126	126	126	90	94	6.5	6	21.8	61.4	6.0	3.2	0.88	0.76	4.9	1 to 4	1 to 4	4.5	1 to 16	1 to 25	6.5
0 428 47	630	1520	3	126	126	141	90	105	6.5	8	25.5	62.4	4.3	2.6	0.91	0.82	3.5	1 to 4	1 to 4	4.5	1 to 16	1 to 25	6.5
0 428 49	1000	2900	4	220	222	170	122	140	7	14.7	43.3	75.3	2.9	1.8	0.93	0.86	2.4	0.25 to 6	0.5 to 10	-	4 to 35	2.5 to 50	-
Single-phase safety transformers: Primary 230-400 V - Sec 24 V																							
0 428 55	40	55	1	84	70	98	40	86	4.5	0.9	3.7	13.3	18.3	12.7	0.75	0.58	15.6	1 to 4	1 to 4	4.5	1 to 4	1 to 4	4.5
0 428 56	63	91	1	84	77	98	40	86	4.5	1.3	4.9	16.7	13.5	10.2	0.8	0.64	11.8	1 to 4	1 to 4	4.5	1 to 4	1 to 4	4.5
0 428 57	100	140	1	84	86	98	40	86	4.5	1.6	6.2	21.0	10.5	8.7	0.83	0.68	9.5	1 to 4	1 to 4	4.5	1 to 4	1 to 4	4.5
0 428 58	160	205	1	84	104	98	40	86	4.5	2.4	9.1	31.8	8.8	7.4	0.83	0.69	7.9	1 to 4	1 to 4	4.5	1 to 4	1 to 4	4.5
0 428 59	220	290	1	96	115	110	40	98	4.5	3.4	12.6	40.0	6.9	6.3	0.85	0.71	6.5	1 to 4	1 to 4	4.5	1 to 4	1 to 4	4.5
0 428 60	310	345	2	106	123	115	50	100	5.2	3.8	14.2	54.9	7.3	6.2	0.85	0.72	8.2	1 to 4	1 to 4	4.5	1 to 4	1 to 4	4.5
0 428 61	450	708	2	120	140	140	62.5	125	5.2	5.6	18.4	46.0	6.2	5.4	0.92	0.84	4.6	1 to 4	1 to 4	4.5	1 to 4	1 to 4	4.5
0 428 62	630	1520	3	126	126	141	90	105	6.5	8	25.5	62.4	4.3	2.6	0.91	0.82	3.5	1 to 4	1 to 4	4.5	1 to 16	1 to 25	6.5
Single-phase safety transformers: Primary 230-400 V - Sec 24-48 V																							
0 428 70	40	55	1	84	77	98	40	86	4.5	1.3	3.9	7.7	6.3	6.5	0.83	0.71	6.1	1 to 4	1 to 4	4.5	1 to 4	1 to 4	4.5
0 428 71	63	91	1	84	86	98	40	86	4.5	1.6	5.2	11.7	7.7	6.9	0.83	0.72	6.9	1 to 4	1 to 4	4.5	1 to 4	1 to 4	4.5
0 428 72	100	150	1	84	104	98	40	86	4.5	2.4	7.9	14.2	4.1	4.5	0.87	0.76	4.6	1 to 4	1 to 4	4.5	1 to 4	1 to 4	4.5
0 428 73	160	160	1	84	104	98	40	86	4.5	2.4	7.9	21.2	7.3	7.6	0.87	0.77	7.4	1 to 4	1 to 4	4.5	1 to 4	1 to 4	4.5
0 428 74	220	290	1	96	115	110	40	98	4.5	3.4	10.7	24.0	5.5	6.7	0.90	0.78	6.3	1 to 4	1 to 4	4.5	1 to 4	1 to 4	4.5
0 428 75	310	345	2	106	123	115	50	100	5.2	3.8	12.0	34.5	6.4	8.4	0.89	0.77	8.2	1 to 4	1 to 4	4.5	1 to 4	1 to 4	4.5
0 428 76	450	708	2	120	140	140	62.5	125	5.2	5.6	18.4	46.0	6.2	5.7	0.92	0.84	4.6	1 to 4	1 to 4	4.5	1 to 4	1 to 4	4.5
0 428 77	630	1520	3	126	126	141	90	105	6.5	8	25.5	64.3	4.2	2.6	0.91	0.82	3.5	1 to 4	1 to 4	4.5	1 to 16	1 to 25	6.5
Single-phase circuits isolation transformers: Primary 230-240 V - Sec 115-230 V																							
0 427 85	40	55	1	84	70	98	40	86	4.5	1	3.7	10.9	15.6	12.6	0.8	0.6	14.2	1 to 4	1 to 4	4.5	1 to 4	1 to 4	4.5
0 427 86	63	91	1	84	77	98	40	86	4.5	1.3	4.9	15.6	12.5	9.7	0.8	0.65	11.0	1 to 4	1 to 4	4.5	1 to 4	1 to 4	4.5
0 427 87	100	140	1	84	86	98	40	86	4.5	1.6	6.2	21.1	10.7	8.9	0.8	0.7	9.7	1 to 4	1 to 4	4.5	1 to 4	1 to 4	4.5
0 427 88	160	205	1	84	104	98	40	86	4.5	2.4	9.1	32.3	8.8	7.3	0.8	0.7	7.9	1 to 4	1 to 4	4.5	1 to 4	1 to 4	4.5
0 427 89	220	290	1	96	115	110	40	98	4.5	3.4	12.6	40.1	6.8	6.2	0.85	0.7	6.4	1 to 4	1 to 4	4.5	1 to 4	1 to 4	4.5
0 427 90	310	345	2	106	123	115	50	100	5.2	3.8	14.2	54.0	7.3	6.2	0.85	0.7	8.2	1 to 4	1 to 4	4.5	1 to 4	1 to 4	4.5
0 427 91	450	708	2	120	140	140	62.5	125	5.2	5.6	18.4	64.0	5.9	5.1	0.9	0.8	4.3	1 to 4	1 to 4	4.5	1 to 4	1 to 4	4.5
0 427 92	630	1520	3	126	126	123	90	105	6.5	7.8	25.5	64.6	4.3	2.6	0.9	0.8	3.5	1 to 4	1 to 4	4.5	1 to 4	1 to 4	4.5