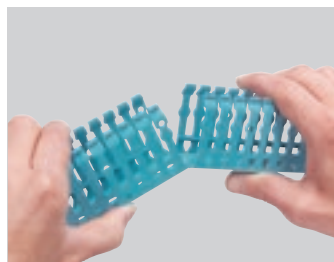
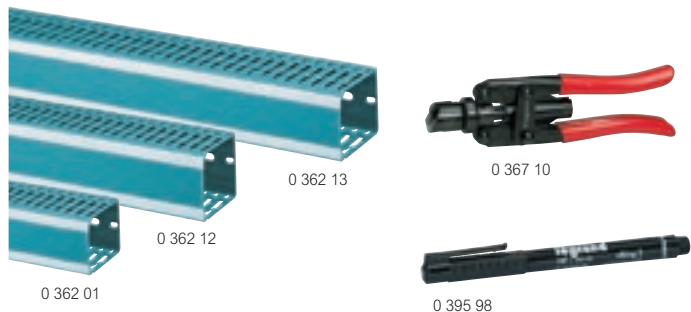


Lina 25™ cable ducting



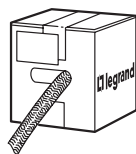
Manually separable trunking



Side wall fingers can be cut using the Lina 25 cutter tool
Cat.No 0 367 10

Technical characteristics p. 349
Approvals p. 919

Pack	Cat.Nos	Lina 25 ducting
		PVC Blue 2525 according to AFNOR NF X08-002 Conform to EN 50085-2-3 6.5 mm wide fingers with a 6 mm spacing Accepts up to 6 mm ² without breaking side wall fingers Two pre-scored lines allow removal of fingers Bump on side wall fingers help cabling Rounded fingers prevent injury during cabling Conform to EN 50085 parts 2 and 3 Plastic cable ducting (base + cover) Side perforations at intervals of 12.5 mm Length: 2 m Width x height (mm)
60 ¹	0 362 00	25 x 25
56 ¹	0 362 01	25 x 40
56 ¹	0 362 02	25 x 60
40 ¹	0 362 03	25 x 80
56 ¹	0 362 05	40 x 25
48 ¹	0 362 06	40 x 40
48 ¹	0 362 07	40 x 60
40 ¹	0 362 08	40 x 80
32 ¹	0 362 11	60 x 40
32 ¹	0 362 12	60 x 60
32 ¹	0 362 13	60 x 80
24 ¹	0 362 16	80 x 60
24 ¹	0 362 17	80 x 80
16 ¹	0 362 25	120 x 80
1	0 367 10	Lina 25 cutter tool For a straight break of side wall fingers
		Sleeving Braided sleeving Black polyester Supplied in 50 m roll in dispenser box with an indicator 3 m before end
1	0 366 38	∅ of roll 20 mm ∅ variations 10 to 30 mm
1	0 366 39	30 mm 18 to 54 mm
25	6 361 78	Spiral sleeving Colourless ∅12 mm
25	6 361 83	∅22 mm
10	0 395 98	Black felt-tip pen Black felt-tip pen indelible for marking



1: Number of metres in pack

Pack	Cat.Nos	Linafix isolating fixing accessories
20	0 367 00	Material polyamide 6/6 Enable fixing of cable ducting on any support by 1/4 turn On chassis-rail Holds the ducting in place vertically
100	0 366 40	On rails 15 mm depth 1/4 turn
20	0 366 41	On Lina 25 perforated plates Clip-on 1/4 turn
20	0 366 42	On door Fits under control and signalling auxiliaries Osmoz (∅22)
10	0 366 43	On Lina 25 uprights Double adjustment to enable alignment with the perforations at the bottom of cable ducting Can be used to fix vertical or horizontal ducting (possible reinforcement with rail , 15 mm depth) To be clipped on
100	0 366 46	On plain plates plastic rivet length 12 mm for solid plates up to 30 / 10 th Drilling ∅: 5.5 to 6 mm
500	0 366 44	On plain plates, Lina 12.5 and perforated plates, Lina 25 for cabinets Reinforced plastic rivet ∅6 mm Drilling ∅: 6.5 mm
100	0 347 45	Screw caps H 4.8 x 16 mm self-drilling, self-tapping for ∅3.3 mm
200	0 347 50	Screw cover, for isolating screws head Cat.No 0 347 45 inside the trunking
50	0 367 01	Cable retainer To clip-on the fingers

