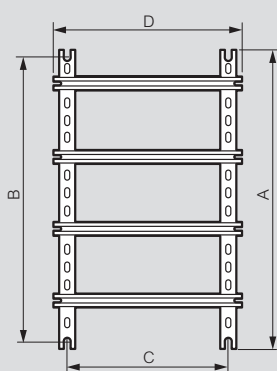


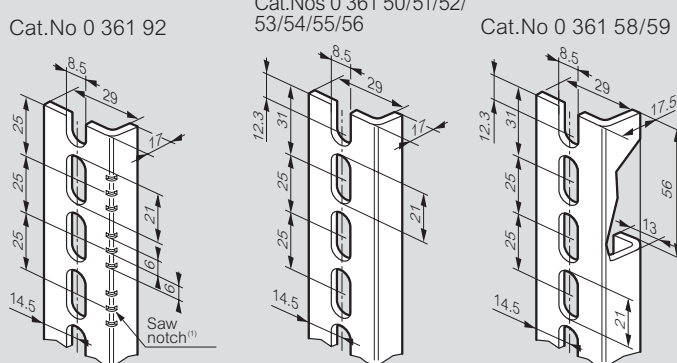
Atlantic, Atlantic food industry and Marina cabinets rails and uprights

Assembled chassis with rails and Lina 25 uprights



Dimensions of cabinets Height x Width (mm)	Uprights height		Rail length		Chassis fixing	
	A (mm)	D (mm)	B (mm)	C (mm)		
300 x 200	237	143	225	125		
300 x 300	237	243	225	225		
300 x 400	237	343	225	325		
400 x 300	337	243	325	225		
400 x 400	337	343	325	325		
400 x 600	337	543	325	525		
500 x 400	437	343	425	325		
500 x 500	437	443	425	425		
600 x 400	537	343	525	325		
600 x 500	537	443	525	425		
600 x 600	537	543	525	525		
600 x 800	537	743	525	725		
600 x 1000	537	943	525	925		
700 x 500	637	443	625	425		
800 x 600	737	543	725	525		
800 x 800	737	743	725	725		
800 x 1000	737	943	725	925		
1000 x 600	937	543	925	525		
1000 x 800	937	743	925	725		
1000 x 1200	937	1143	925	1125		
1200 x 600	1137	543	1125	525		
1200 x 800	1137	743	1125	725		
1200 x 1000	1137	943	1125	925		
1400 x 800	1337	743	1325	725		

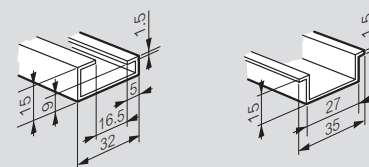
Lina 25 sectioned uprights and uprights to be cut



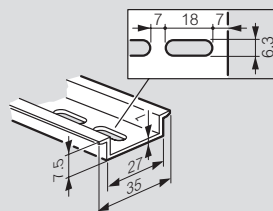
1: Saw notch for upright length x pitch 25, the 2 others for uprights Cat.Nos 0 361 50/51/52/53/54/55/56

Rails

Cat.No 0 374 02 Cat.Nos 0 367 80/81/82/83/84/85/86 and 0 374 07



Cat.No 0 477 22



Cat.No 0 477 23

