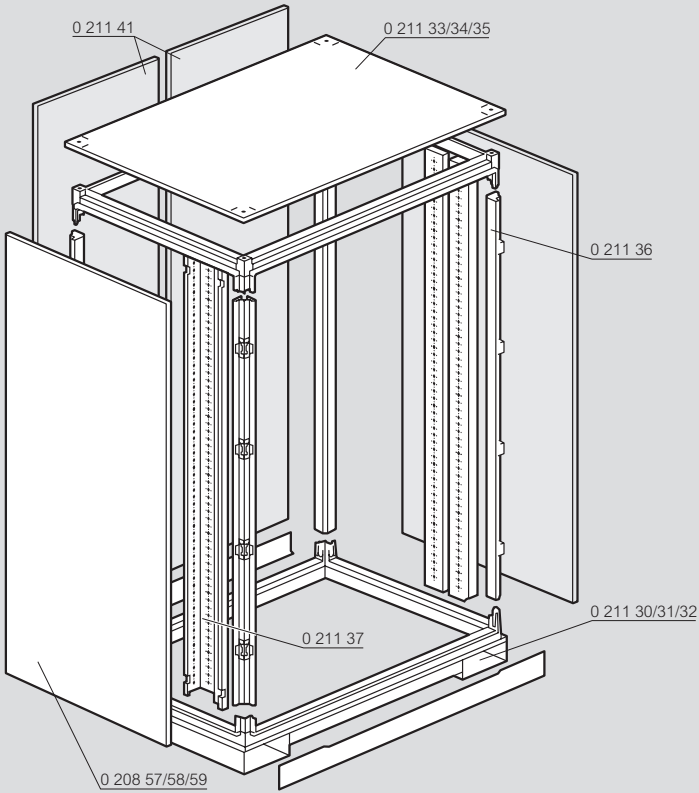


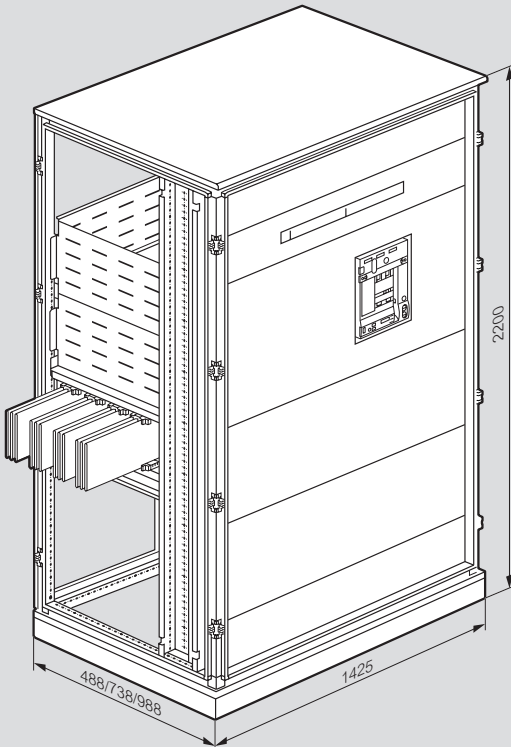
Distribution enclosures XL³ 6300

Installation principle

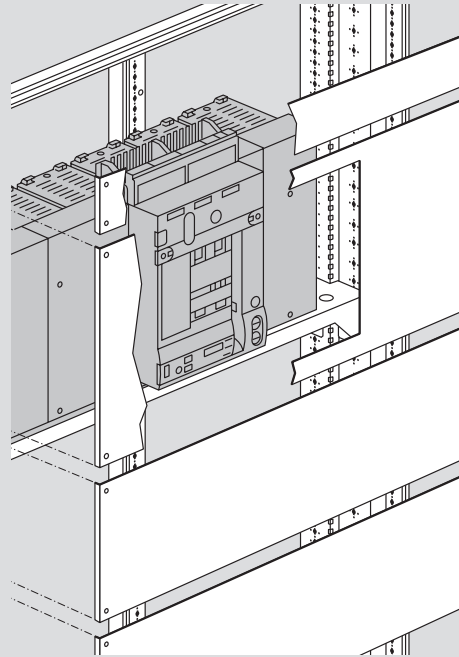


Dimensions

External dimensions (mm)



Mounting DXM³ 6300 fixed version with Cat.No 0 211 38



Mounting DMX³ 6300 draw-out version with Cat.No 0 211 40

