

Flush-mounting British standard consumer units

technical characteristics

Presentation

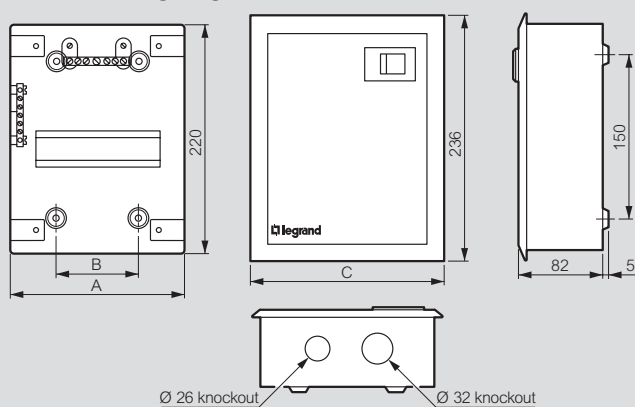


Single phase + neutral

3-phase + neutral

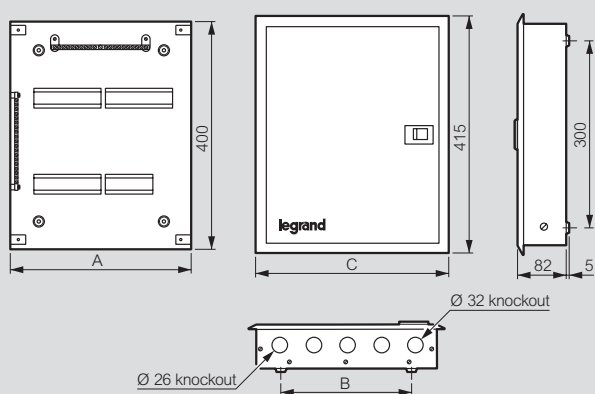
Dimensions

Flush-mounting Single Phase + Neutral



Cat.Nos	No. of ways	Dimensions (mm)			Top Ø25 knockout	Bottom Ø32 knockout
		A	B	C		
4 025 05	4	170	80	190	1 no.	1 no.
4 025 06	6	210	120	230	1 no.	1 no.
4 025 07	8	240	150	260	2 nos.	1 no.
4 025 08	12	316	226	336	3 nos.	1 no.
4 025 09	16	388	298	408	4 nos.	1 no.

Flush-mounting Three-phase + Neutral



Cat.Nos	No. of ways	Dimensions (mm)			Top Ø25 knockout	Bottom Ø32 knockout
		A	B	C		
4 025 15	4	285	195	305	3 nos.	1 no.
4 025 16	6	321	231	341	4 nos.	1 no.
4 025 17	8	405	315	425	5 nos.	1 no.
4 025 18	12	549	459	569	7 nos.	1 no.