

DPX³ 160 equipment and mounting accessories



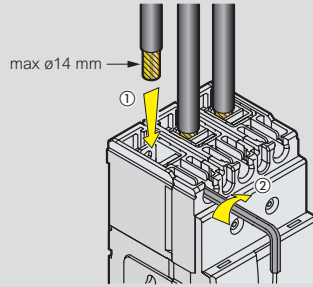
4 210 36

Pack	Cat.Nos	Connection accessories
1	4 210 26	High capacity cage terminals For Cu/Al cables, 1 x 120 mm ² for flexible cables and 1 x 150 mm ² for rigid cable and 18 mm bars
1	4 210 27	Set of 3 terminals Set of 4 terminals
		Cage terminals For Cu cables, 1 x 70 mm ² for flexible cables and 1 x 95 mm ² for rigid cables and 14 mm bars
1	4 210 93	Set of 3 terminals
1	4 210 94	Set of 4 terminals
		Insulated shields (phase barriers)
1	4 210 70	Set of 36 insulated shields
		Screw terminals for bars connection For copper bars
1	4 210 28	Set of 3 terminals
1	4 210 29	Set of 4 terminals
		Spreaders For incoming bars or cable lugs
1	4 210 32	Set of 3 spreaders for DPX ³ 160 3P
1	4 210 33	Set of 4 spreaders for DPX ³ 160 4P
		Sealable terminal shields
		For front terminals
1	4 210 54	For DPX ³ 160 3P
1	4 210 55	For DPX ³ 160 3P
		Fixing plates For fixing DPX ³ 160 on L rail or on plate
1	4 210 71	For DPX ³ 160 3P/4P without earth leakage module
1	4 210 73	For DPX ³ 160 4P with earth leakage module
1	4 210 68	For DPX ³ 160 3P/4P with side mounting motor operator

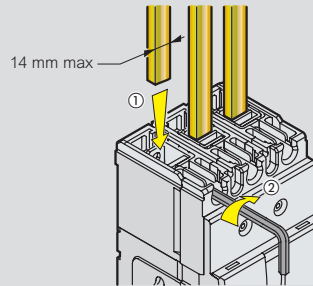
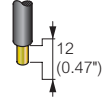
DPX³ 160 connection

Connection

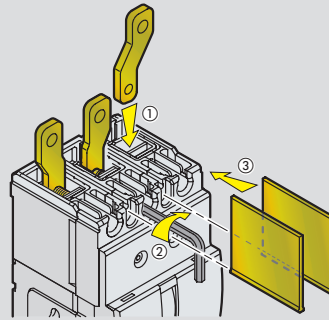
Direct connection



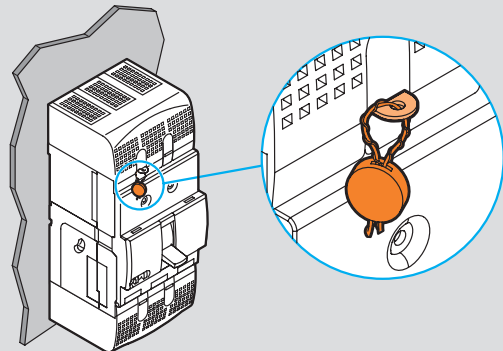
Flexible	
1,5	→ 70 mm ²
#16	→ #2/0 AWG
or	
Solid	
1,5	→ 95 mm ²
#16	→ #4/0 AWG



Spreaders



Sealable terminal shield



Dimensions
see e-catalogue

