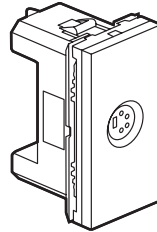


Mini DIN S-Video socket

Cat. No(s) : 787 63



1. USE

For transmitting high definition YC/SVHS video signals (Hi 8 camcorder, DVD player, etc.).

This socket outlet may be referred to by other names : S-Video, mini DIN, S-VHS, Y/C or Ushiden socket outlet.

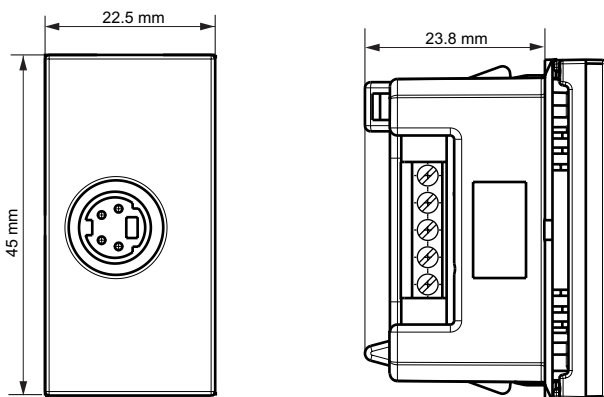
2. RANGE

	Designation	Cat. No.	Modules	Fixing method	Connection method	Weight (g)
	Mini DIN S-Video socket	787 63	1	With clips	With screws	16.7

3. PREPARATION

- The mechanisms can be flush-mounted or surface-mounted.
- Modular mechanisms using adapter Cat. No. 802 99 (2 modules).
- The mechanisms are mounted on thin walls using adapters Cat. No. 802 90 (1 module), 802 91 (2 modules), 802 92 (2 x 1 vertical module).

4. OVERALL DIMENSIONS



5. CONNECTION

Wide terminal strip taking a 1 mm² conductor max.

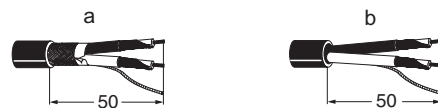
Supplied in a bag containing :

- 1 Colring tie
- ferrules to be crimped for conductor < 0.5 mm²
- thermoformable sheaths.

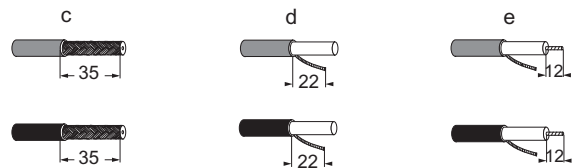
Cable bend radius : 35 mm

Stripping

Cords to be cut : dual video cable 2 x coaxial cables 75 Ω shielded Ø 7 mm.



- a - Cable unsheathing length : 50 mm.
Recover the continuity wire of the cable's general shielding
- b - Remove the braid and the shielding tape.



- c - Coaxial cable unsheathing length : 35 mm (red, black).
- d - Cut the braids at 22 mm (remove 13 mm)
Unbraid and then twist the strands.
- e - Stripping length of coaxial cable cores : 12 mm.

5. CONNECTION *(cont'd)*

Wiring

Tools required : flat-blade screwdriver 0.4 x 2.5 mm and flat-nose pliers.

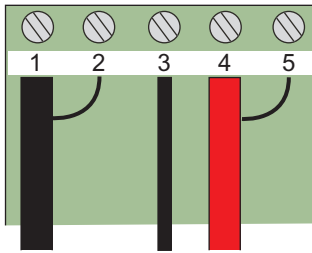
Insulate the braids and the continuity wire using the neoprene sleeves supplied, thread them into the ferrules supplied and crimp them using the flat-nose pliers.

Fold the cable cores in two to ensure a better mechanical hold, thread them into the ferrules supplied and crimp them using the flat-nose pliers.

Start by wiring the braids and the continuity wire, followed by the coaxial cable cores.

Hold the cable mechanically using the cable clamp supplied.

Follow the wiring instructions below :



- 1 - Y black hot spot (brightness)
- 2 - Y ground
- 3 - General ground
- 4 - C red hot spot (chrominance)
- 5 - C ground

6. TECHNICAL CHARACTERISTICS

6.1 Mechanical characteristics

Impact tests : IK 04

Penetration by solid bodies/liquid : IP 41 (C15-100)

6.2 Material characteristics

Base : Polycarbonate

Cover : ABS (RAL 9003)

Self-extinguishing : 650°C / 30 s

6.3 Climatic characteristics

Storage temperature : - 10°C to + 70°C

Operating temperature : - 5°C to + 50°C

7. CLEANING

Surface cleaning with a cloth.

Do not use : acetone, tar remover, trichloroethylene.

7.1 Resistance to cleaning agents

Resistance to the following agents : - Hexane (EN 60669-1)

- Methylated spirits
- Soapy water
- Diluted ammonia
- Diluted pure bleach 10%
- Glass cleaning substance
- Pre-impregnated wipes.

7.2 Resistance to hospital-type cleaning agents

Resistance to the following agents : - Anios

- Surfanios
- Bactilysine
- Diluted hydrogen peroxide (35%)

Caution : A preliminary test should be carried out if other specific cleaning products are to be used.