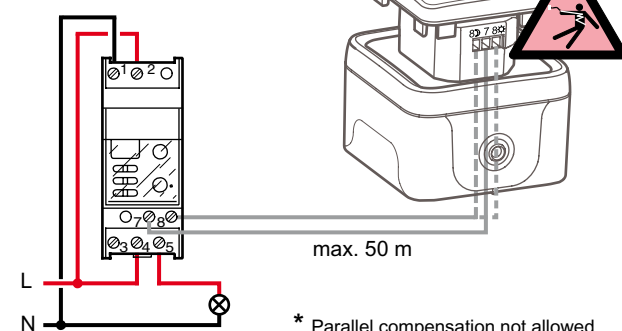


**Technical data**

|                    |   |                            |
|--------------------|---|----------------------------|
| Supply voltage:    | 230V 50/60Hz                            |                            |
| Consumption:       | ~ 1,3W                                  |                            |
| Contact rating:    | changeover contact 10A 250V~μ cos φ = 1 |                            |
| Accuracy:          | ±2,5s/d                                 |                            |
| Terminal capacity: | single strand                           | multi strand               |
|                    | 1,5 to 4 mm <sup>2</sup>                | 1,5 to 2,5 mm <sup>2</sup> |
| Program pictures:  | 8                                       |                            |
| Battery reserve:   | 100h                                    |                            |
| Storage ambient:   | -10°C to +60°C                          |                            |
| Working ambient:   | -10°C to +55°C                          |                            |
| Setting range:     | ~ 2.... 60000 lx                        |                            |

**Connection**

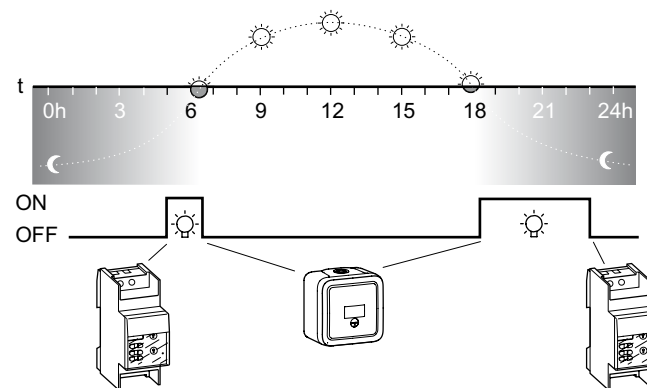


|       |        |      |       |        |        |
|-------|--------|------|-------|--------|--------|
|       |        |      |       |        |        |
| 1000W | 2000VA | 100W | 1000W | 1000VA | 2000VA |

**GB Safty notes**

This product should be installed in line with installation rules and preferably by a qualified electrician. Incorrect installation and use can entail risk of electric shock or fire. Before carrying out the installation, read the instructions and take into account the product's specific mounting location. Do not open, dismantle, alter or modify the device except where specifically required by the instructions. All Legrand products must be exclusively opened and repaired by personnel trained and approved by Legrand. Any unauthorised opening or repair completely cancels all liabilities and the rights to replacement and guarantees. Use only Legrand brand accessories. The device contains a NiMh cell. When the product reaches the end of its life, this cell must be correctly removed and disposed of in accordance with national legislation and the requirements of environmental protection.

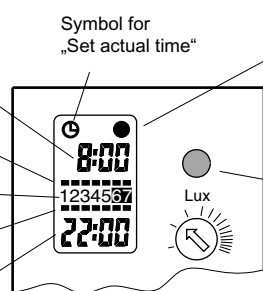
**Function**



**Presentation**

**Liquid Crystal Display**

Actual or „On“ time  
weekday  
Day number  
„Off“ days  
„Off“ time

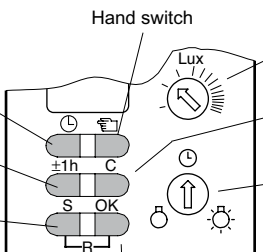


State of output  
● = daylight switch ON  
○ = daylight switch OFF

daylight switch LED  
● = ON  
○ = OFF

**Programming Buttons**

Choose function  
Summer/winter changeover  
Set Minutes, Hours & Days  
Reset

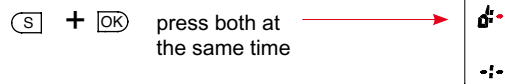


daylight switch adjustment  
Delete  
service switch  
○ light continuous "off"  
⌚ automatik  
☀ light continuous "on"

**1. Starting**

Approximately 30 seconds after the supply voltage is connected the symbols appear on the LCD.  
**Before any operations the complete memory must be reset.**

**2. Memory reset**



The time switch memory is completely clear.

**3. Setting date and summer- / winter changeover**

**This can only be done after a Reset.**

Summer- / winter changeover can be made manually or automatically if set. If manual changeover is required choose **no** during the date input. Automatic changeover depends on your country / area. Choose the appropriate setting for your country / area.

Code d

**S** Press until the correct day is set

**OK** Press once

**S** Press until the correct month is set

**OK** Press once

**S** Press until the correct year is set

**OK** Press once

**S** Choose (See table below)

| Choice    | Summer begins                   | Summer ends            | Country / area     |
|-----------|---------------------------------|------------------------|--------------------|
| <b>E</b>  | last Sunday in April            | last Sunday in October | EU                 |
| <b>A</b>  | 1 <sup>ST</sup> Sunday in April | last Sunday in October | only North America |
| <b>Gb</b> | last Sunday in April            | 4th Sunday in October  | GB                 |
| <b>no</b> | No changeover                   | No changeover          |                    |

**H** Enter here the date for the beginning of summer for your country / area as well as the end of summertime. E.g. 31<sup>ST</sup> March is shown for the beginning of Summertime. In the following years it starts on the same day irrespective of the date.

**Setting of the beginning of summer code 1**

**S** Set the day

**OK** Press once

**S** Set the month

**OK** Press once

**S** Set the year

**OK** Press once

The start date is set.

**End date setting code 0**

Set the end date as above

**After setting the summer start now set the actual time**

Press **S** until display is as shown

#### 4. Setting actual time

**C** Press once

**S** Press until the correct hour is shown

**OK** Press once

**S** Press until the correct minute is shown

**OK** Press once

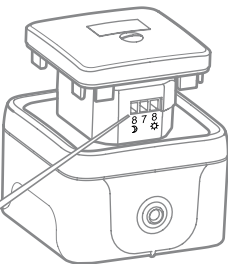
The weekday will shown automatically.  
Choice **no** **C** press once  
Actual time is now set

#### 5. Setting daylight level

a.) check, if  press once

b.) During dusk adjust the setting until the LED lights.

**Note: Because of the inbuilt time delay the output contact will operate approx. 1 minute later.**



7-8 Connection for dusk-triggered applications

7-8 Connection for sunlight-triggered applications

#### 6. Setting switching time

Each program has an On- and Off-time.

##### 6.1 7 Day block program. Each day the same

**C** Press until this display appears

**S** Set the On hour

**OK** Press once

**S** Set the On minutes

**OK** Press once

**S** Set the Off hour

**OK** Press once

**S** Set the Off minutes

**OK** Press once

End of program

#### 6.2 Day Monday to Friday program

**C** Press until this display appears

Set times as 6.1 above

#### 6.3 Single day programs

**C** Press until this display appears

**S** Set On hour

**OK** Press once

**S** Set On minute

**OK** Press once

**S** Set On day

**OK** Press once

**S** Set other days as required  
**OK** Press once

only if it is necessary

**C** Press to change to off hour

**S** Set off hour

**OK** Press once

**S** Set off minute

**OK** Press once

**OK** If the clock is on the correct day press

Otherwise use **S** **OK** to set another day

**C** Press once

End of program

#### 7. Check switching times

**C** Press once

**C** Press several times until correct „picture“ is shown

**C** Press until the actual time is shown

END

#### 8. Delete switching times

**C** Press several times until correct „picture“ is shown

**C** Press to delete program and set a new programm or-

**C** Press until the actual time is shown

#### 9. Service switch

output switch continuously „off“ (light)

daylight switch operates during the time switch program

output switch continuously „on“ (light)

#### 10. On and Off manual operation

Press as required

Display = On

Display = Off

The time switch will follow the next „On“ or „Off“ program

#### 11. Summer-/ Winter changeover

**This function is only available if no was chosen during date input for summer- / winter selection (see 3)**

**±1h** Press until the actual time goes forward 1 hour (summer) or back 1 hour (winter)

#### 12. Correcting mistakes (only in the mode of programming)

**C** Press once

**C** Press until actual time is displayed

END

#### 13. Checking the date setting

**This function is not available if no was chosen during date input for summer- / winter selection (see 3)**

**C** + **C** Hold & Press both buttons together

END